

magnaloy

Pump/Motor Mounts Catalog

Connecting Fluid Power for over 60 Years



NOTE: Due to Magnaloy's policy of continuous improvement, specifications are subject to change without notice.

* Check with the factory or our Web Site at www.magnaloy.com for the latest information.

Magnaloy

• 170 N Industrial Hwy. Alpena, MI 49707

• 989 356-2186

www.magnaloy.com

A Division of Douville Johnston Corporation

Catalog No. 2023.12.4 © 2023 Magnaloy

C

PUMP/MOTOR MOUNTS - SECTION 2

General Information3
Horizontal Pump/Motor Mounts (NEMA Frame Motors)4
Horizontal Pump/Motor Mounts (IEC Metric Frame Motors)7
Vertical Pump/Motor Mounts11
Pump/Engine Mounts14
Horizontal Welded Steel Pump/Motor Mounts17
Vertical Welded Steel Pump/Motor Mounts20
Welded Steel Pump/Engine Mounts23
Pump/Motor Mount Dampening Ring26
REFERENCE MATERIAL INDEX29

Check out our **Product Configurator Program**
<https://configurator.magnaloy.com>

THIS PAGE LEFT BLANK INTENTIONALLY

Motor Mount Covers

Magnaloy Pump/Motor Mounts are provided with one Service Window Cover, designed to protect personnel in case of a coupling failure. If additional Service Window Covers are required, order by part number shown in table below.

Part Number	Fits Mount Number
M056-2	M056__ Horizontal & Vertical
M182-1	M18250__ & M18252__ Horizontal & Vertical & E64455__ & E70055__ Engine
M182-2	M18258__ & M18260__ Horizontal & Vertical & E64460__ & E70060__ Engine
M182-3	M18268__ & M18270__ Horizontal & Vertical & E64470__ & E64472__ & E70070__ & E70071__ Engine
M182-4	M18247__ Horizontal & E64450__ & E70050__ Engine
M284-1	M28468__ Horizontal & E78768__ Engine
M284-2	M28475__ Horizontal & E78775__ Engine
M284-3	M28486__ Horizontal & E78786__ Engine
M324-1	M32476__ Horizontal & S324_____ 7.57 to 8.70 length
M324-2	M32487__ Horizontal & S324_____ 8.70 to 10.20 length
M324-3	S324_____ 8.70 to 10.20 length (wide window)
M324-4	S324_____ 10.20 to 12.20 length
M324-5	S324_____ 12.20 and greater length
M444-1	S444_____ 8.95 to 10.45 length
M444-2	S444_____ 10.45 to 12.45 length
M444-3	S444_____ 12.45 and greater length

NOTE: The standrd Service Window Cover is Orange in color, Yellow Covers are also available as an option. See page 10 of our [Price List](#) for pricing and ordering information.

Magnaloy Pump/Motor Mounts

Power Unit design is greatly simplified by use of the Magnaloy Pump/Motor Mount. Direct mounting of flange mount pumps to NEMA C'Face motors or Pilot mount engines via a Magnaloy Mount assures accurate shaft alignment and eliminates the need for a coupling guard, foot brackets, shims, risers and mounting plate. The result is the easiest to install, most accurate and cost effective method available to mount a pump to a drive unit.

For over 30 years Magnaloy has produced the highest quality flexible drive couplings in the industry. Magnaloy's long tradition of high quality and immediate delivery has become an industry goal for other manufacturers to attain. Every mount Magnaloy manufactures is guaranteed to be within .003 inch concentric from the motor pilot to the pump pilot. Further, the mounting faces are parallel to each other and perpendicular to the pilot centerline within .002 inch. These exacting tolerances mean accurate shaft alignment which helps prolong bearing, seal and coupling life in addition to reducing noise and vibration. Other mount manufacturers talk about quality, but Magnaloy puts it in writing with measurable standards (see Illustration A).

Magnaloy is the most complete, single source for Horizontal, Vertical and Engine requirements. A large selection of SAE and Metric pump mounting flanges to NEMA motors and I.C. Engines in a variety of lengths are available from stock for immediated shipment. OR special requirements can be met from our complete offering of Welded Steel Mounts. Whatever your mounting needs, you need look no further than Magnaloy.

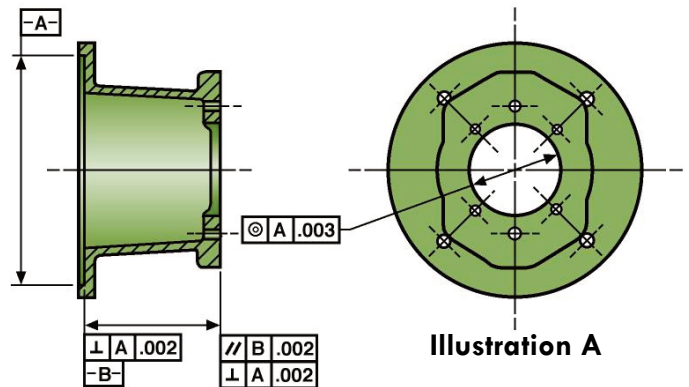


Illustration A

Check out our **Product Configurator Program**
<https://configurator.magnaloy.com>

Magnaloy Cast Aluminum Mounts

MAGNALOY CAST ALUMINUM MOUNTS are permanent mold cast of lightweight, high strength aluminum alloy and incorporate many unique design features. Custom molded OSHA orange coupling access covers are included for mounts larger than motor group size 056. These covers are quickly and securely retained via a lip-tab on one end and a single self-tapping screw on the other. Magnaloy's horizontal mounts are supplied with a pre-cast drain hole for residual fluids. This unique feature assists in quick detection of leaky seals and other trouble areas.

Using Magnaloy's Pump/Motor Mounts ensure a lightweight, high strength, precision mount for efficient assembly, quiet operation, accurate shaft alignment and complete coupling concealment.

Magnaloy Horizontal Pump/Motor Mounts

MAGNALOY'S HORIZONTAL PUMP/MOTOR MOUNTS are available for mounting NEMA C'Face motors in frame sizes 56C through 405TSC to most SAE and Metric 2 and 4 bolt pump flanges.

A MOUNT KIT is included which contains all the bolts and washers required to attach the pump and motor to the mount.

Horizontal Mount Selection Method

1. Check Pump Flange Tables in Reference Section, page 31, to determine pump flange size.
2. Measure the pump shaft length from the shaft end to the flange mounting face and ADD to the motor shaft length shown in NEMA Table on page 32 (or IEC Metric Motor Flange Tables starting on page 33) of Reference Section. An additional 1/16 inch (minimum) is recommended for shaft end clearance.
3. Refer to the appropriate TABLE (7 thru 11) according to the NEMA motor frame size and locate the applicable pump flange selection from STEP 1, above.
4. Select the mount length option (dimension 'XM' or 'M' in tables) based on the minimum length determined in STEP 2, above.
5. Check for proper clearance between the mount inner surfaces and the coupling O.D. (dimension 'Z' and 'CL' in tables).
Dimensional data for Magnaloy Couplings is shown in Tables on (page 4 in Complete Catalog) for reference. For the latest product information, Visit us at www.magnaloy.com.

Check out our **Product Configurator Program**

<https://configurator.magnaloy.com>

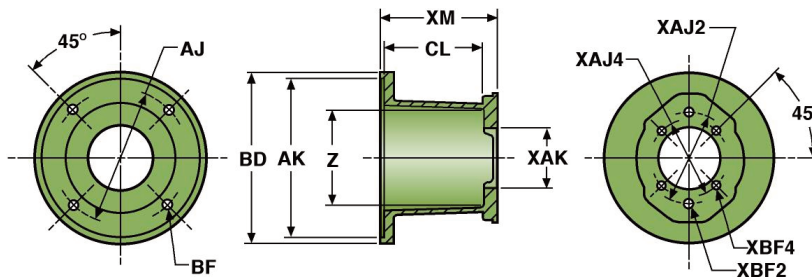


TABLE 7 - NEMA Frames 56C, 143TC/145TC, 182UC/184UC
Horizontal Mounting (or Vertical Mounting - Option A)



MOTOR END DATA
AJ BF BD AK
5.88 7/16 6.81 4.501

RADIAL CLEARANCE "Z" = 4.15

PUMP FLANGE	PUMP END DATA				3.50 LENGTH			4.25 LENGTH			4.50 LENGTH				
	XAK	XAJ2	XBF2	XAJ4	XBF4	MOUNT NO.	CL	XM	MOUNT NO.	CL	XM	MOUNT NO.	CL	XM	
USA4F17	4 Bolt	1.782			2.84	5/16-18	M056354F	2.81	3.50	M056424F	3.56	4.25	M056454F	3.81	4.50
SAE AA	2 Bolt	2.001	3.25	3/8-16			M056352AA	2.81	3.50	M056422AA	3.56	4.25	M056452AA	3.81	4.50
SAE A	2(4) Bolt	3.251	4.19	3/8-16	4.12	3/8-16	M056352A	2.81	3.50	M056422A	3.56	4.25	M056452A	3.81	4.50
63 2A/B4	2(4) Bolt	63.01mm	100mm	5/16-18	85mm	5/16-18	M0563563M	2.81	3.50	M0564263M	3.56	4.25	M0564563M	3.81	4.50
63 S4	4 Bolt	63.01mm			80mm	11/32	M0563563MS	2.81	3.50	M0564263MS	3.56	4.25	M0564563MS	3.81	4.50
80 2A/B4	2(4) Bolt	80.01mm	109mm	3/8-16	103mm	5/16-18	M0563580M	2.81	3.50	M0564280M	3.56	4.25	M0564580M	3.81	4.50
80 S4	4 Bolt	80.01mm			100mm	5/16-18	M0563580MS	2.81	3.50	M0564280MS	3.56	4.25	M0564580MS	3.81	4.50

MOTOR END DATA
AJ BF BD AK
5.88 7/16 6.81 4.501

RADIAL CLEARANCE "Z" = 4.15
¹ RADIAL CLEARANCE "Z" = 4.10

PUMP FLANGE	PUMP END DATA				5.00 LENGTH			5.25 LENGTH				
	XAK	XAJ2	XBF2	XAJ4	XBF4	MOUNT NO.	CL	XM	MOUNT NO.	CL	XM	
USA4F17	4 Bolt	1.782			2.84	5/16-18	M056504F	4.31	5.00	M056524F	4.56	5.25
SAE AA	2 Bolt	2.001	3.25	3/8-16			M056502AA	4.31	5.00	M056522AA	4.56	5.25
SAE A	2(4) Bolt	3.251	4.19	3/8-16	4.12	3/8-16	M056502A	4.31	5.00	M056522A	4.56	5.25
SAE B	2(4) Bolt	4.001	5.75	1/2-13	5.00	1/2-13	M056502B ¹	3.93	5.00	M056522B ¹	4.18	5.25
63 2A/B4	2(4) Bolt	63.01mm	100mm	5/16-18	85mm	5/16-18	M0565063M	4.31	5.00	M0565263M	4.56	5.25
63 S4	4 Bolt	63.01mm			80mm	11/32	M0565063MS	4.31	5.00	M0565263MS	4.56	5.25
80 2A/B4	2(4) Bolt	80.01mm	109mm	3/8-16	103mm	5/16-18	M0565080M	4.31	5.00	M0565280M	4.56	5.25
80 S4	4 Bolt	80.01mm			100mm	5/16-18	M0565080MS	4.31	5.00	M0565280MS	4.56	5.25
100 A2/B4	2(4) Bolt	100.01mm	140mm	1/2-13	125mm	3/8-16	M05650100M ¹	3.93	5.00	M05652100M ¹	4.18	5.25

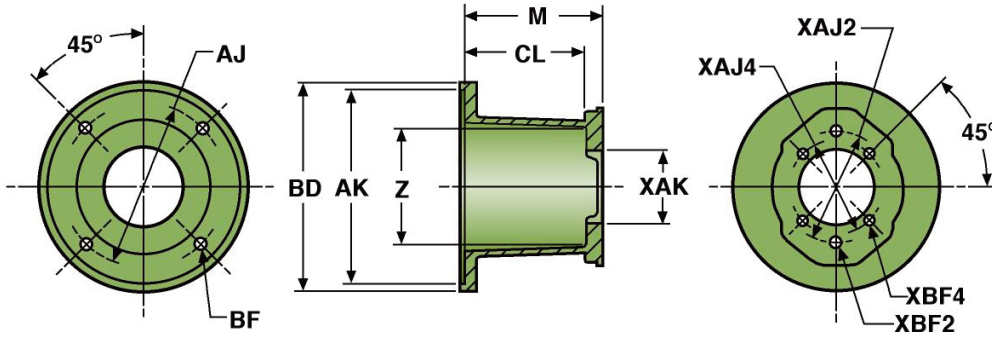


TABLE 8A - NEMA Frames 182TC - 256TC, 213UC - 256UC
Horizontal Mounting (or Vertical Mounting - Option A)



2

MOTOR END DATA
 AJ BF BD AK
 7.25 17/32 9.00 8.501

RADIAL CLEARANCE "Z" = 5.00

182-A Casting

		XAK	XAJ2	XBF2	XAJ4	XBF4	MOUNT NO.	CL	M	MOUNT NO.	CL	M	MOUNT NO.	CL	M
USA4F17	4 Bolt	1.782			2.84	5/16-18	M182474F	4.00	4.75	M182504F	4.31	5.00	M182524F	4.31	5.25
SAE AA	2 Bolt	2.001	3.25	3/8-16			M182472AA	4.00	4.75	M182502AA	4.31	5.00	M182522AA	4.31	5.25
SAE A	2(4) Bolt	3.251	4.19	3/8-16	4.12	3/8-16	M182472A	4.00	4.75	M182502A	4.31	5.00	M182522A	4.31	5.25
63 2A/B4	2(4) Bolt	63.01mm	100mm	5/16-18	85mm	5/16-18	M1824763M	4.00	4.75	M1825063M	4.31	5.00	M1825263M	4.31	5.25
63 S4	4 Bolt	63.01mm			80mm	11/32	M1824763MS	4.00	4.75	M1825063MS	4.31	5.00	M1825263MS	4.31	5.25
80 2A/B4	2(4) Bolt	80.01mm	109mm	3/8-16	103mm	5/16-18	M1824780M	4.00	4.75	M1825080M	4.31	5.00	M1825280M	4.31	5.25
80 S4	4 Bolt	80.01mm			100mm	5/16-18	M1824780MS	4.00	4.75	M1825080MS	4.31	5.00	M1825280MS	4.31	5.25

PUMP FLANGE **PUMP END DATA** **4.75 LENGTH** **5.0 LENGTH** **5.25 LENGTH**

MOTOR END DATA
 AJ BF BD AK
 7.25 17/32 9.00 8.501

RADIAL CLEARANCE "Z" = 5.00

182-B Casting

		XAK	XAJ2	XBF2	XAJ4	XBF4	MOUNT NO.	CL	M	MOUNT NO.	CL	M	MOUNT NO.	CL	M
USA4F17	4 Bolt	1.782			2.84	5/16-18	M182584F	5.06	5.81	M182684F	6.06	6.81			
SAE AA	2 Bolt	2.001	3.25	3/8-16			M182582AA	5.06	5.81	M182682AA	6.06	6.81			
SAE A	2(4) Bolt	3.251	4.19	3/8-16	4.12	3/8-16	M182582A	5.06	5.81	M182682A	6.06	6.81			
63 2A/B4	2(4) Bolt	63.01mm	100mm	5/16-16	85mm	5/16-18	M1825863M	5.06	5.81	M1826863M	6.06	6.81			
63 S4	4 Bolt	63.01mm			80mm	11/32	M1825863MS	5.06	5.81	M1826863MS	6.06	6.81			
80 2A/B4	2(4) Bolt	80.01mm	109mm	3/8-16	103mm	5/16-18	M1825880M	5.06	5.81	M1826880M	6.06	6.81			
80 S4	4 Bolt	80.01mm			100mm	5/16-18	M1825880MS	5.06	5.81	M1826880MS	6.06	6.81			

PUMP FLANGE **PUMP END DATA** **5.81 LENGTH** **6.81 LENGTH**



TABLE 8B - NEMA Frames 182TC - 256TC, 213UC - 256UC
Horizontal Mounting

MOTOR END DATA
 AJ BF BD AK
 7.25 17/32 9.00 8.501

RADIAL CLEARANCE "Z" = 5.00

182-B Casting

		XAK	XAJ2	XBF2	XAJ4	XBF4	MOUNT NO.	CL	M	MOUNT NO.	CL	M	MOUNT NO.	CL	M
SAE B	2(4) Bolt	4.001	5.75	1/2-13	5.00	1/2-13	M182522B	4.50	5.25	M182582B	5.06	5.81	M182602B	5.25	6.00
SAE C	2(4) Bolt	5.001	7.12	5/8-11	6.38	1/2-13	M182522C	4.50	5.25	M182582C	5.06	5.81	M182602C	5.25	6.00
100 A2/B4	2(4) Bolt	100.01mm	140mm	1/2-13	125mm	3/8-16	M18252100M	4.50	5.25	M18258100M	5.06	5.81	M18260100M	5.25	6.00
125 A2/B4	2(4) Bolt	125.01mm	180mm	5/8-11	160mm	1/2-13	M18252125M	4.50	5.25	M18258125M	5.06	5.81	M18260125M	5.25	6.00

PUMP FLANGE **PUMP END DATA** **5.25 LENGTH** **5.81 LENGTH** **6.00 LENGTH**

MOTOR END DATA

AJ BF BD AK



RADIAL CLEARANCE "Z" = 5.00

		XAK	XAJ2	XBF2	XAJ4	XBF4	MOUNT NO.	CL	M	MOUNT NO.	CL	M
SAE B	2(4) Bolt	4.001	5.75	1/2-13	5.00	1/2-13	M182682B	6.06	6.81	M182702B	6.25	7.00
SAE C	2(4) Bolt	5.001	7.12	5/8-11	6.38	1/2-13	M182682C	6.06	6.81	M182702C	6.25	7.00
100 A2/B4	2(4) Bolt	100.01mm	140mm	1/2-13	125mm	3/8-16	M18268100M	6.06	6.81	M18270100M	6.25	7.00
125 A2/B4	2(4) Bolt	125.01mm	180mm	5/8-11	160mm	1/2-13	M18268125M	6.06	6.81	M18270125M	6.25	7.00

PUMP FLANGE

PUMP END DATA

6.81 LENGTH

7.00 LENGTH

2

TABLE 9 - NEMA Frames 284TC/TSC - 286TC/TSC, 284UC/286UC

MOTOR END DATA

AJ BF BD AK



RADIAL CLEARANCE "Z" = 6.40

		XAK	XAJ2	XBF2	XAJ4	XBF4	MOUNT NO.	CL	M	MOUNT NO.	CL	M	MOUNT NO.	CL	M
SAE A	2(4) Bolt	3.251	4.19	3/8-16	4.12	3/8-16	M284682A	6.00	6.88	M284752A	6.62	7.50	M284862A	7.81	8.69
SAE B	2(4) Bolt	4.001	5.75	1/2-13	5.00	1/2-13	M284682B	6.00	6.88	M284752B	6.62	7.50	M284862B	7.81	8.69
SAE C	2(4) Bolt	5.001	7.12	5/8-11	6.38	1/2-13	M284682C	6.00	6.88	M284752C	6.62	7.50	M284862C	7.81	8.69
80 A2/B4	2(4) Bolt	80.01mm	109mm	3/8-16	103mm	5/16-18	M2846880M	6.00	6.88	M2847580M	6.62	7.50	M2848680M	7.81	8.69
80 S4	4 Bolt	80.01mm			100mm	5/16-18	M2846880MS	6.00	6.88	M2847580MS	6.62	7.50	M2848680MS	7.81	8.69
100 A2/B4	2(4) Bolt	100.01mm	140mm	1/2-13	125mm	3/8-16	M28468100M	6.00	6.88	M28475100M	6.62	7.50	M28486100M	7.81	8.69
125 A2/B4	2(4) Bolt	125.01mm	180mm	5/8-11	160mm	1/2-13	M28468125M	6.00	6.88	M28475125M	6.62	7.50	M28486125M	7.81	8.69

PUMP FLANGE

PUMP END DATA

6.88 LENGTH

7.50 LENGTH

8.69 LENGTH



TABLE 10 - NEMA Frames 324TC/TSC - 405TC/TSC, 324UC/USC - 405UC/USC

MOTOR END DATA

AJ BF BD AK



RADIAL CLEARANCE "Z" = 7.74

		XAK	XAJ2	XBF2	XAJ4	XBF4	MOUNT NO.	CL	M	MOUNT NO.	CL	M
SAE B	2(4) Bolt	4.001	5.75	1/2-13	5.00	1/2-13	M324762B	6.75	7.62	M324872B	7.88	8.75
SAE C	2(4) Bolt	5.001	7.12	5/8-11	6.38	1/2-13	M324762C	6.75	7.62	M324872C	7.88	8.75
SAE D	2(4) Bolt	6.001	9.00	3/4-10	9.00	3/4-10	M324762D	6.75	7.62	M324872D	7.88	8.75
100 A2/B4	2(4) Bolt	100.01mm	140mm	1/2-13	125mm	3/8-16	M32476100M	6.75	7.62	M32487100M	7.88	8.75
125 A2/B4	2(4) Bolt	125.01mm	180mm	5/8-11	160mm	1/2-13	M32476125M	6.75	7.62	M32487125M	7.88	8.75
160 A2/B4	2(4) Bolt	160.01mm	224mm	3/4-10	200mm	5/8-11	M32476160M	6.75	7.62	M32487160M	7.88	8.75
180 B4	4 Bolt	180.01mm			224mm	5/8-11	M32476180M	6.75	7.62	M32487180M	7.88	8.75

PUMP FLANGE

PUMP END DATA

7.62 LENGTH

8.75 LENGTH



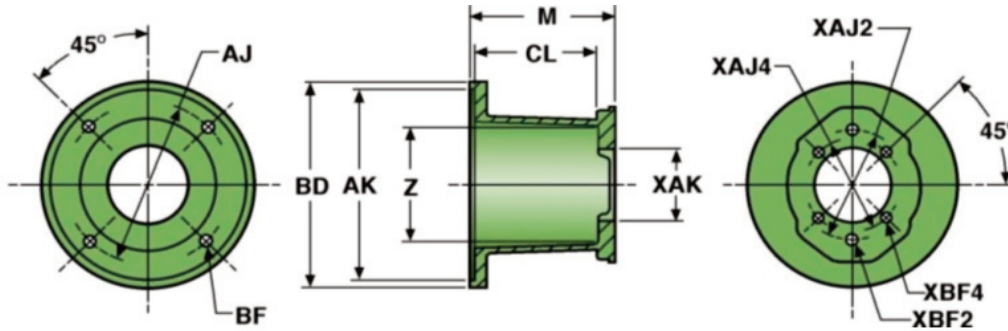
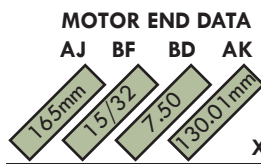


TABLE 12 - IEC Metric Motor Frame BF5 80M, BF5 90L - Form 30, BF5 132S, 132M - Form 36 & BF14 100L B, 112M B, 132S/M A - Form 36



Refer to Reference Section, pages 33 - 37 for IEC Motor Frame Dimensions and Flange Sizes.

RADIAL CLEARANCE "Z" = 4.15
RADIAL CLEARANCE "Z" = 4.10

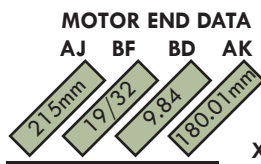
		XAK	XAJ2	XBF2	XAJ4	XBF4	MOUNT NO.	CL	M	MOUNT NO.	CL	M
USA4F17	4 Bolt	1.782			2.84	5/16-18	M130ML504F	4.31	5.00	M130ML524F	4.56	5.25
SAE AA	2 Bolt	2.001	3.25	3/8-16			M130ML502AA	4.31	5.00	M130ML522AA	4.56	5.25
SAE A	2(4) Bolt	3.251	4.19	3/8-16	4.12	3/8-16	M130ML502A	4.31	5.00	M130ML522A	4.56	5.25
SAE B	2(4) Bolt	4.001	5.75	1/2-13	5.00	1/2-13	M130ML502B¹	3.93	5.00	M130ML522B¹	4.18	5.25
63 A2/B4	2(4) Bolt	63.01mm	100mm	5/16-18	85mm	5/16-18	M130ML5063M	4.31	5.00	M130ML5263M	4.56	5.25
63 S4	4 Bolt	63.01mm			80mm	11/32	M130ML5063MS	4.31	5.00	M130ML5263MS	4.56	5.25
80 A2/B4	2(4) Bolt	80.01mm	109mm	3/8-16	103mm	5/16-18	M130ML5080M	4.31	5.00	M130ML5280M	4.56	5.25
80 S4	4 Bolt	80.01mm			100mm	5/16-18	M130ML5080MS	4.31	5.00	M130ML5280MS	4.56	5.25
100 A2/B4	2(4) Bolt	100.01mm	140mm	1/2-13	125mm	3/8-16	M130ML50100M¹	3.93	5.00	M130ML52100M¹	4.18	5.25
PUMP FLANGE			PUMP END DATA				5.00 LENGTH			5.25 LENGTH		

TABLE 13 - IEC Metric Motor Frame BF5 100L, 112M - Form 30 & BF14 160M/L - Form 36



Refer to Reference Section, pages 33 - 37 for IEC Motor Frame Dimensions and Flange Sizes.

RADIAL CLEARANCE "Z" = 5.00



		XAK	XAJ2	XBF2	XAJ4	XBF4	MOUNT NO.	CL	M	MOUNT NO.	CL	M
USA4F17	4 Bolt	1.782			2.84	5/16-18	M180ML504F	4.31	5.00	M180ML524F	4.56	5.25
SAE AA	2 Bolt	2.001	3.25	3/8-16			M180ML502AA	4.31	5.00	M180ML522AA	4.56	5.25
SAE A	2(4) Bolt	3.251	4.19	3/8-16	4.12	3/8-16	M180ML502A	4.31	5.00	M180ML522A	4.56	5.25
63 A2/B4	2(4) Bolt	63.01mm	100mm	5/16-18	85mm	5/16-18	M180ML5063M	4.31	5.00	M180ML5263M	4.56	5.25
63 S4	4 Bolt	63.01mm			80mm	11/32	M180ML5063MS	4.31	5.00	M180ML5263MS	4.56	5.25
80 A2/B4	2(4) Bolt	80.01mm	109mm	3/8-16	103mm	5/16-18	M180ML5080M	4.31	5.00	M180ML5280M	4.56	5.25
80 S4	4 Bolt	80.01mm			100mm	5/16-18	M180ML5080MS	4.31	5.00	M180ML5280MS	4.56	5.25
PUMP FLANGE			PUMP END DATA				5.00 LENGTH			5.25 LENGTH		

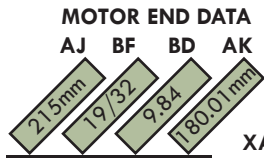
TABLE 14 - IEC Metric Motor Frame BF5 100L, 112M - Form 30 & BF14 160M/L - Form 36 (continued)

Refer to Reference Section, pages 33 - 37 for IEC Motor Frame Dimensions and Flange Sizes.



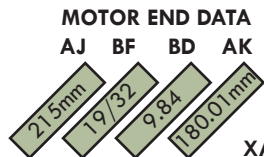
RADIAL CLEARANCE "Z" = 5.00

2



		XAK	XAJ2	XBF2	XAJ4	XBF4	MOUNT NO.	CL	M	MOUNT NO.	CL	M	MOUNT NO.	CL	M
USA4F17	4 Bolt	1.782			2.84	5/16-18				M180ML604F	5.06	6.00	M180ML704F	6.06	7.00
SAE AA	2 Bolt	2.001	3.25	3/8-16						M180ML602AA	5.06	6.00	M180ML702AA	6.06	7.00
SAE A	2(4) Bolt	3.251	4.19	3/8-16	4.12	3/8-16				M180ML602A	5.06	6.00	M180ML702A	6.06	7.00
SAE B	2(4) Bolt	4.001	5.75	1/2-13	5.00	1/2-13	M180ML552B	4.50	5.50	M180ML602B	5.06	6.00	M180ML702B	6.06	7.00
SAE C	2(4) Bolt	5.001	7.12	5/8-11	6.38	1/2-13	M180ML552C	4.50	5.50	M180ML602C	5.06	6.00	M180ML702C	6.06	7.00
63 A2/B4	2(4) Bolt	63.01mm	100mm	5/16-18	85mm	5/16-18				M180ML6063M	5.06	6.00	M180ML7063M	6.06	7.00
63 S4	4 Bolt	63.01mm			80mm	11/32				M180ML6063MS	5.06	6.00	M18ML7063MS	6.06	7.00
80 A2/B4	2(4) Bolt	80.01mm	109mm	3/8-16	103mm	5/16-18				M180ML6080M	5.06	6.00	M180ML7080M	6.06	7.00
80 S4	4 Bolt	80.01mm			100mm	5/16-18				M180ML6080MS	5.06	6.00	M180ML7080MS	6.06	7.00
100 A2/B4	2(4) Bolt	100.01mm	140mm	1/2-13	125mm	3/8-16	M180ML55100M	4.50	5.50	M180ML60100M	5.06	6.00	M180ML70100M	6.06	7.00
125 A2/B4	2(4) Bolt	125.01mm	180mm	5/8-11	160mm	1/2-13	M180ML55125M	4.50	5.50	M180ML60125M	5.06	6.00	M180ML70125M	6.06	7.00

PUMP FLANGE PUMP END DATA 5.50 LENGTH 6.00 LENGTH 7.00 LENGTH



		XAK	XAJ2	XBF2	XAJ4	XBF4	MOUNT NO.	CL	M
SAE B	2(4) Bolt	4.001	5.75	1/2-13	5.00	1/2-13	M180ML722B	6.25	7.25
SAE C	2(4) Bolt	5.001	7.12	5/8-11	6.38	1/2-13	M180ML722C	6.25	7.25
100 A2/B4	2(4) Bolt	100.01mm	140mm	1/2-13	125mm	3/8-16	M180ML72100M	6.25	7.25
125 A2/B4	2(4) Bolt	125.01mm	180mm	5/8-11	160mm	1/2-13	M180ML72125M	6.25	7.25

PUMP FLANGE PUMP END DATA 7.25 LENGTH

RADIAL CLEARANCE "Z" = 5.00



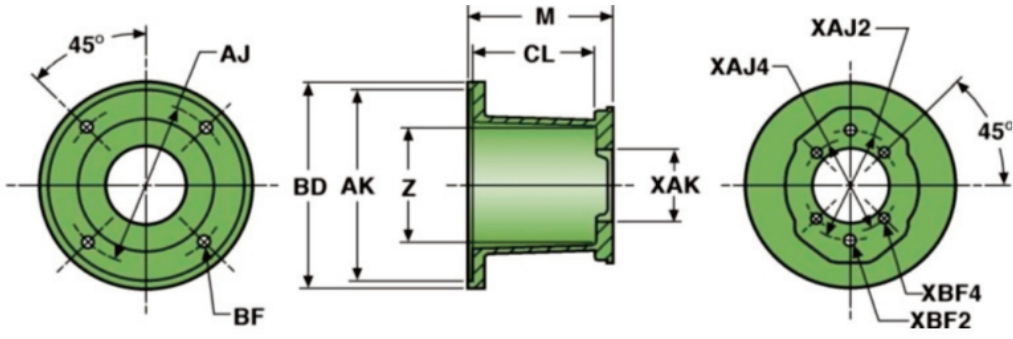
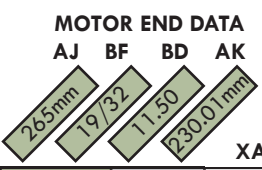


TABLE 15 - IEC Metric Motor Frame BF5 132S, 132M - Form 30
 Refer to Reference Section, pages 33 - 37 for IEC Motor Frame Dimensions and Flange Sizes.

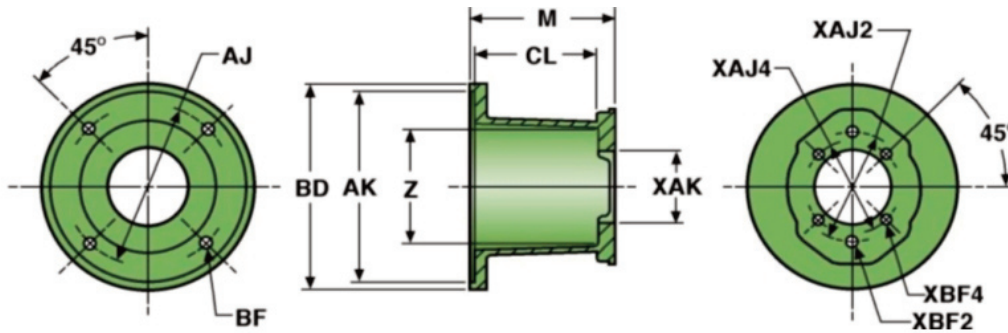


RADIAL CLEARANCE "Z" = 5.00



		XAK	XAJ2	XBF2	XAJ4	XBF4	MOUNT NO.	CL	M	MOUNT NO.	CL	M	MOUNT NO.	CL	M
USA4F17	4 Bolt	1.782			2.84	5/16-18	M230ML524F	4.31	5.25	M230ML554F	4.31	5.50	M230ML604F	5.06	6.00
SAE AA	2 Bolt	2.001	3.25	3/8-16			M230ML522AA	4.31	5.25	M230ML552AA	4.31	5.50	M230ML602AA	5.06	6.00
SAE A	2(4) Bolt	3.251	4.19	3/8-16	4.12	3/8-16	M230ML522A	4.31	5.25	M230ML552A	4.31	5.50	M230ML602A	5.06	6.00
SAE B	2(4) Bolt	4.001	5.75	1/2-13	5.00	1/2-13	M230ML522B	4.50	5.25	M230ML552B	4.50	5.50	M230ML602B	5.06	6.00
SAE C	2(4) Bolt	5.001	7.12	5/8-11	6.38	1/2-13	M230ML522C	4.50	5.25	M230ML552C	4.50	5.50	M230ML602C	5.06	6.00
63 A2/B4	2(4) Bolt	63.01mm	100mm	5/16-18	85mm	5/16-18	M230ML5263M	4.31	5.25	M230ML5563M	4.31	5.50	M230ML6063M	5.06	6.00
63 S4	4 Bolt	63.01mm			80mm	11/32	M230ML5263MS	4.31	5.25	M230ML5563MS	4.31	5.50	M230ML6063MS	5.06	6.00
80 A2/B4	2(4) Bolt	80.01mm	109mm	3/8-16	103mm	5/16-18	M230ML5280M	4.31	5.25	M230ML5580M	4.31	5.50	M230ML6080M	5.06	6.00
80 S4	4 Bolt	80.01mm			100mm	5/16-18	M230ML5280MS	4.31	5.25	M230ML5580MS	4.31	5.50	M230ML6080MS	5.06	6.00
100 A2/B4	2(4) Bolt	100.01mm	140mm	1/2-13	125mm	3/8-16	M230ML52100M	4.50	5.25	M230ML55100M	4.50	5.50	M230ML60100M	5.06	6.00
125 A2/B4	2(4) Bolt	125.01mm	180mm	5/8-11	160mm	1/2-13	M230ML52125M	4.50	5.25	M230ML55125M	4.50	5.50	M230ML60125M	5.06	6.00

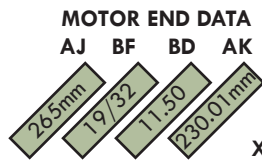
PUMP FLANGE **PUMP END DATA** **5.25 LENGTH** **5.50 LENGTH** **6.00 LENGTH**



2

TABLE 16 - IEC Metric Motor Frame BF5 132S, 132M - Form 30 (continued)

Refer to Reference Section, pages 33 - 37 for IEC Motor
Frame Dimensions and Flange Sizes.



RADIAL CLEARANCE "Z" = 5.00

		XAK	XAJ2	XBF2	XAJ4	XBF4	MOUNT NO.	CL	M	MOUNT NO.	CL	M
USA4F17	4 Bolt	1.782			2.84	5/16-18	M230ML704F	6.06	7.00			
SAE AA	2 Bolt	2.001	3.25	3/8-16			M230ML702AA	6.06	7.00			
SAE A	2(4) Bolt	3.251	4.19	3/8-16	4.12	3/8-16	M230ML702A	6.06	7.00			
SAE B	2(4) Bolt	4.001	5.75	1/2-13	5.00	1/2-13	M230ML702B	6.06	7.00	M230ML722B	6.25	7.25
SAE C	2(4) Bolt	5.001	7.12	5/8-11	6.38	1/2-13	M230ML702C	6.06	7.00	M230ML722C	6.25	7.25
63 A2/B4	2(4) Bolt	63.01mm	100mm	5/16-18	85mm	5/16-18	M230ML7063M	6.06	7.00			
62 S4	4 Bolt	63.01mm			80mm	11/32	M230ML7063MS	6.06	7.00			
80 A2/B4	2(4) Bolt	80.01mm	109mm	3/8-16	103mm	5/16-18	M230ML7080M	6.06	7.00			
80 S4	4 Bolt	80.01mm			100mm	5/16-18	M230ML7080MS	6.06	7.00			
100 A2/B4	2(4) Bolt	100.01mm	140mm	1/2-13	125mm	3/8-16	M230ML70100M	6.06	7.00	M230ML72100M	6.25	7.25
125 A2/B4	2(4) Bolt	125.01mm	180mm	5/8-11	160mm	1/2-13	M230ML70125M	6.06	7.00	M230ML72125M	6.25	7.25

PUMP FLANGE

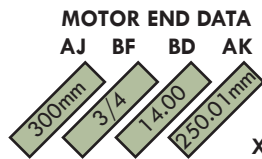
PUMP END DATA

7.00 LENGTH

7.25 LENGTH

TABLE 17 - IEC Metric Motor Frame BF5 160M, 160L, 180M, 180L - Form 30

Refer to Reference Section, pages 33 - 37 for IEC Motor
Frame Dimensions and Flange Sizes.



RADIAL CLEARANCE "Z" = 7.74



		XAK	XAJ2	XBF2	XAJ4	XBF4	MOUNT NO.	CL	M	MOUNT NO.	CL	M
SAE B	2(4) Bolt	4.001	5.75	1/2-13	5.00	1/2-13	M250ML782B	6.75	7.81	M250ML892B	7.88	8.94
SAE C	2(4) Bolt	5.001	7.12	5/8-11	6.38	1/2-13	M250ML782C	6.75	7.81	M250ML892C	7.88	8.94
SAE D	2(4) Bolt	6.001	9.00	3/4-10	9.00	3/4-10	M250ML782D	6.75	7.81	M250ML892D	7.88	8.94
100 A2/B4	2(4) Bolt	100.01mm	140mm	1/2-13	125mm	3/8-16	M250ML78100M	6.75	7.81	M250ML89100M	7.88	8.94
125 A2/B4	2(4) Bolt	125.01mm	180mm	5/8-11	160mm	1/2-13	M250ML78125M	6.75	7.81	M250ML89125M	7.88	8.94
160 A2/B4	2(4) Bolt	160.01mm	224mm	3/4-10	200mm	5/8-11	M250ML78160M	6.75	7.81	M250ML89160M	7.88	8.94
180 B4	4 Bolt	180.01mm			224mm	5/8-11	M250ML78180M	6.75	7.81	M250ML89180M	7.88	8.94

PUMP FLANGE

PUMP END DATA

7.80 LENGTH

8.90 LENGTH

MAGNALOY VERTICAL PUMP/MOTOR MOUNTS

are designed to allow direct mounting through the reservoir top. The pump and mount assembly is enclosed inside the reservoir resulting in a safer, quieter, more compact installation. Vertical mounts are available in NEMA C'face motor frame sizes 56C through 256TC to most SAE and Metric 2 and 4 bolt pump flanges. Two mounting options are available to give added flexibility in vertical power unit design.

A MOUNT KIT is included which contains all bolts and washers required to attach the pump and motor to the mount. The kit **DOES NOT** contain hardware for attaching the mount to the reservoir.



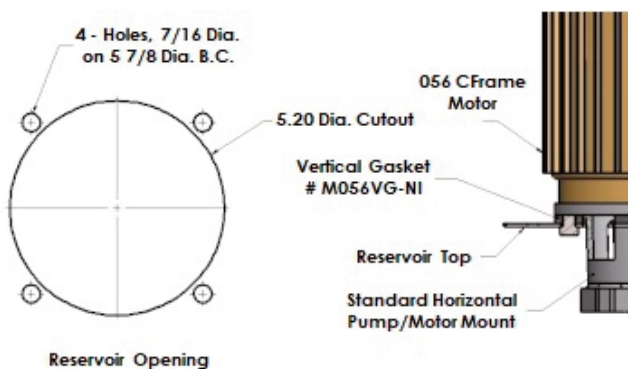
Vertical Mount Selection Method

1. Check Pump Flange Tables in Reference Section, page 31, to determine pump flange size.
2. Measure the pump shaft length from the shaft end to the flange mounting face and ADD to the motor shaft length shown in NEMA Table on page 32 (or IEC Metric Motor Flange Tables starting on page 33) of Reference Section. An additional 1/16 inch (minimum) is recommended for shaft end clearance.
3. Determine mounting option desired as shown in the following illustrations depending on the NEMA frame size.
4. Refer to the appropriate TABLE (7, 8A, 18 or 19) according to the NEMA motor frame size and locate the applicable pump flange selection from STEP 1, above. NOTE: Option A for vertical mounting NEMA 182TC through 256TC is applicable ONLY to SAE-A and smaller pump flanges.
5. Select the mount length option (dimension 'XM' or 'M' in tables) based on the minimum length determined in STEP 2, above.
6. Check for proper clearance between the mount inner surfaces and the coupling O.D. (dimension 'Z' and 'CL' in tables). Dimensional data for Magnaloy Couplings is shown in Tables on (page 4 in Complete Catalog) for reference. For the latest product information, Visit us at www.magnaloy.com.

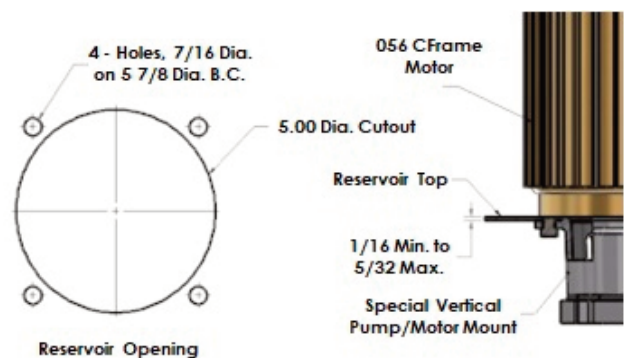
Check out our **Product Configurator Program**
<https://configurator.magnaloy.com>

NEMA Frame 56C thru 145TC Vertical Mounting

OPTION A



OPTION B



This economical vertical mounting option allows Tank Top Drop-thru mounting for ease of assembly and utilizes the standard horizontal mount and a sealing gasket.

To order OPTION A, specify the Horizontal Pump/Motor Mount number from TABLE 7 and Vertical Gasket number M056VG-NI.

Note: Due to casting surface irregularities, this is a new design gasket, made from a thick nitrile(70 D) to give proper sealing between the mount and reservoir top.

This mounting option requires inside tank access to position the mount/pump sub-assembly through the tank top opening.

To order OPTION B, specify the Vertical Pump/Motor Mount number from TABLE 12 followed with the letter 'V' as shown in TABLE 12. No gasket is required with this mounting option.

TABLE 18 - NEMA Frame 56C, 143TC/145TC, 182UC/184UC



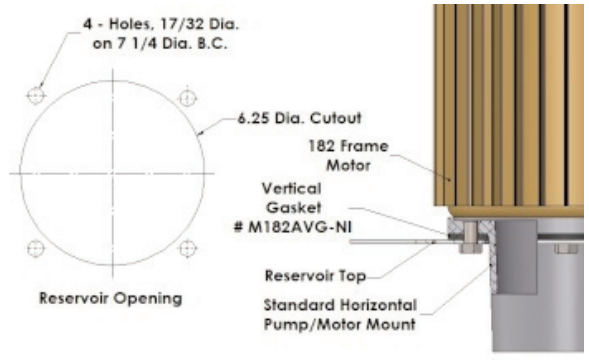
MOTOR END DATA		RADIAL CLEARANCE "Z" = 4.15															
AJ	BF	BD	AK	XAK	XAJ2	XBF2	XAJ4	XBF4	MOUNT NO.	CL	XM	MOUNT NO.	CL	XM	MOUNT NO.	CL	XM
5.88	7.16	6.81	4.501														
USA4F17	4 Bolt	1.782					2.84	5/16-18	M056354FV	2.81	3.50	M056424FV	3.56	4.25	M056454FV	3.81	4.50
SAE AA	2 Bolt	2.001	3.25	3/8-16					M056352AAV	2.81	3.50	M056422AAV	3.56	4.25	M056452AAV	3.81	4.50
SAE A	2(4) Bolt	3.251	4.19	3/8-16	4.12	3/8-16			M056352AV	2.81	3.50	M056422AV	3.56	4.25	M056452AV	3.81	4.50
63 A2/B4	2(4) Bolt	63.01mm	100mm	5/16-18	85mm	5/16-18			M0563563MV	2.81	3.50	M0564263MV	3.56	4.25	M0564563MV	3.81	4.50
63 S4	4 Bolt	63.01mm			80mm	11/32			M0563563MSV	2.81	3.50	M0564263MSV	3.56	4.25	M0564563MSV	3.81	4.50
80 A2/B4	2(4) Bolt	80.01mm	109mm	3/8-16	103mm	5/16-18			M0563580MV	2.81	3.50	M0564280MV	3.56	4.25	M0564580MV	3.81	4.50
80 S4	4 Bolt	80.01mm			100mm	5/16-18			M0563580MSV	2.81	3.50	M0564280MSV	3.56	4.25	M0564580MSV	3.81	4.50

MOTOR END DATA		RADIAL CLEARANCE "Z" = 4.15						3.50 LENGTH			4.25 LENGTH			4.50 LENGTH			
AJ	BF	BD	AK	XAK	XAJ2	XBF2	XAJ4	XBF4	MOUNT NO.	CL	XM	MOUNT NO.	CL	XM	MOUNT NO.	CL	XM
5.88	7.16	6.81	4.501														
USA4F17	4 Bolt	1.782					2.84	5/16-18	M056504FV	4.31	5.00	M056524FV	4.56	5.25			
SAE AA	2 Bolt	2.001	3.25	3/8-16					M056502AAV	4.31	5.00	M056522AAV	4.56	5.25			
SAE A	2(4) Bolt	3.251	4.19	3/8-16	4.12	3/8-16			M056502AV	4.31	5.00	M056522AV	4.56	5.25			
SAE B	2(4) Bolt	4.001	5.75	1/2-13	5.00	1/2-13			M056502BV*	3.93	5.00	M056522BV	4.18	5.25			
63 A2/B4	2(4) Bolt	63.01mm	100mm	5/16-18	85mm	5/16-18			M0565063MV	4.31	5.00	M0565263MV	4.56	5.25			
63 S4	4 Bolt	63.01mm			80mm	11/32			M0565063MSV	4.31	5.00	M0565263MSV	4.56	5.25			
80 A2/B4	2(4) Bolt	80.01mm	109mm	3/8-16	103mm	5/16-18			M0565080MV	4.31	5.00	M0565280MV	4.56	5.25			
80 S4	4 Bolt	80.01mm			100mm	5/16-18			M0565080MSV	4.31	5.00	M0565280MSV	4.56	5.25			
100 A2/B4	2(4) Bolt	100.01mm	140mm	1/2-13	125mm	3/8-16			M05650100MV*	3.93	5.00	M05652100MV*	4.18	5.25			

NOTE:
See drawing on top of page 13 for dimensional references

NEMA Frame 182TC thru 256TC Vertical Mounting

OPTION A



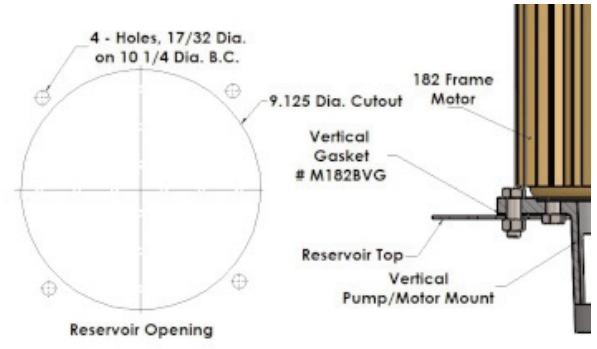
This mounting option offers an economical alternative to OPTION B, but is available with SAE-A pump flanges and smaller only. OPTION A utilizes the standard horizontal mount and a sealing gasket.

To order **OPTION A**, specify the Horizontal Pump/Motor Mount number from TABLE 8 and Vertical Gasket number M182AVG-N.

See our Technical Bulletin on our Web Site for more information concerning this Gasket.

Note: Due to casting surface irregularities, this is a new design gasket, made from a thick neoprene to give proper sealing between the mount and reservoir top.

OPTION B



This option utilizes an oversize mounting flange on the motor end of the mount and requires a larger diameter tank top opening giving additional working clearances for assembly to reservoir. Mounting OPTION B is available in the pump/motor length combinations shown in TABLE 13.

To order **OPTION B**, specify the Vertical Pump/Motor Mount number from TABLE 13 followed with the letter 'V' as shown in TABLE 13. The required Vertical Gasket, number M182BVG is included.

Vertical Pump/Motor Mounts - NEMA Frame Motors

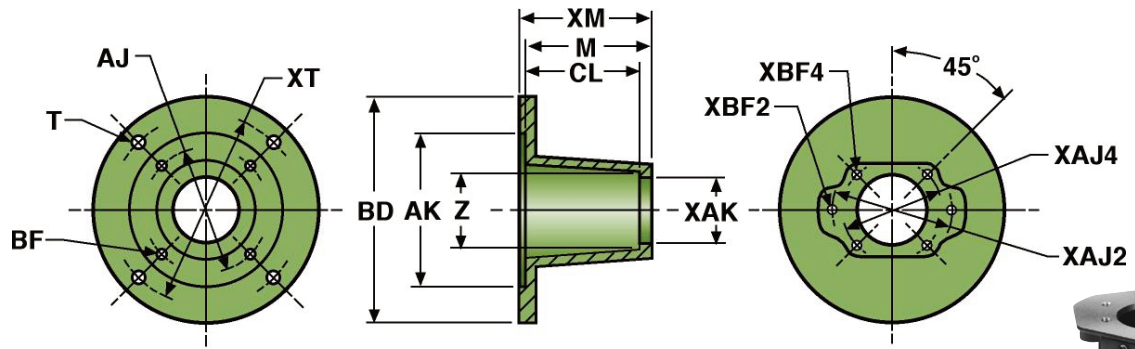


TABLE 19 - NEMA Frames 182TC - 256TC, 213UC/256UC

MOTOR END DATA
 AJ BF BD AK
 7.25 17/32 11.50 8.501

RADIAL CLEARANCE "Z" = 5.00
MOUNTING BOLT HOLE DIAMETER "T" = 17/32
MOUNTING HOLE BOLT CIRCLE "XT" = 10.25

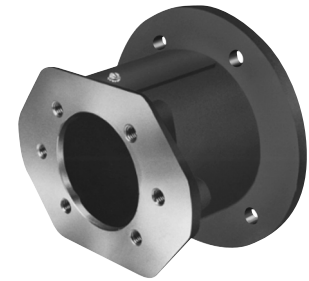
		XAK	XAJ2	XBF2	XAJ4	XBF4	MOUNT NO.	CL	M	MOUNT NO.	CL	M	MOUNT NO.	CL	M
USA4F17	4 Bolt	1.782			2.84	5/16-18	M182504FV	4.31	5.00	M182524FV	4.31	5.25	M182584FV	5.06	5.81
SAE AA	2 Bolt	2.001	3.25	3/8-16			M182502AAV	4.31	5.00	M182522AAV	4.31	5.25	M182582AAV	5.06	5.81
SAE A	2(4) Bolt	3.251	4.19	3/8-16	4.12	3/8-16	M182502AV	4.31	5.00	M182522AV	4.31	5.25	M182582AV	5.06	5.81
SAE B	2(4) Bolt	4.001	5.75	1/2-13	5.00	1/2-13				M182522BV	4.50	5.25	M182582BV	5.06	5.81
SAE C	2(4) Bolt	5.001	7.12	5/8-11	6.38	1/2-13				M182522CV	4.50	5.25	M182582CV	5.06	5.81
63 A2/B4	2(4) Bolt	63.01mm	100mm	5/16-18	85mm	5/16-18	M1825063MV	4.31	5.00	M1825263MV	4.31	5.25	M1825863MV	5.06	5.81
63 S4	4 Bolt	63.01mm			80mm	11/32	M1825063MSV	4.31	5.00	M1825263MSV	4.31	5.25	M1825863MSV	5.06	5.81
80 A2/B4	2(4) Bolt	80.01mm	109mm	3/8-16	103mm	5/16-18	M1825080MV	4.31	5.00	M1825280MV	4.31	5.25	M1825880MV	5.06	5.81
80 S4	4 Bolt	80.01mm			100mm	5/16-18	M1825080MSV	4.31	5.00	M1825280MSV	4.31	5.25	M1825880MSV	5.06	5.81
100 A2/B4	2(4) Bolt	100.01mm	140mm	1/2-13	125mm	3/8-16				M18252100MV	4.50	5.25	M18258100MV	5.06	5.81
125 A2/B4	2(4) Bolt	125.01mm	180mm	5/8-11	160mm	1/2-13				M18252125MV	4.50	5.25	M18258125MV	5.06	5.81
PUMP FLANGE			PUMP END DATA					5.00 LENGTH			5.25 LENGTH			5.81 LENGTH	

MOTOR END DATA
 AJ BF BD AK
 7.25 17/32 11.50 8.501

RADIAL CLEARANCE "Z" = 5.00
MOUNTING BOLT HOLE DIAMETER "T" = 17/32
MOUNTING HOLE BOLT CIRCLE "XT" = 10.25

		XAK	XAJ2	XBF2	XAJ4	XBF4	MOUNT NO.	CL	M	MOUNT NO.	CL	M		
USA4F17	4 Bolt	1.782			2.84	5/16-18	M182684FV	6.06	6.81					
SAE AA	2 Bolt	2.001	3.25	3/8-16			M182682AAV	6.06	6.81					
SAE A	2(4) Bolt	3.251	4.19	3/8-16	4.12	3/8-16	M182682AV	6.06	6.81					
SAE B	2(4) Bolt	4.001	5.75	1/2-13	5.00	1/2-13	M182682BV	6.06	6.81	M182702BV	6.25	7.00		
SAE C	2(4) Bolt	5.001	7.12	5/8-11	6.38	1/2-13	M182682CV	6.06	6.81	M182702CV	6.25	7.00		
63 A2/B4	2(4) Bolt	63.01mm	100mm	5/16-18	85mm	5/16-18	M1826863MV	6.06	6.81					
63 S4	4 Bolt	63.01mm			80mm	11/32	M1826863MSV	6.06	6.81					
80 A2/B4	2(4) Bolt	80.01mm	109mm	3/8-16	103mm	5/16-18	M1826880MV	6.06	6.81					
80 S4	4 Bolt	80.01mm			100mm	5/16-18	M1826880MSV	6.06	6.81					
100 A2/B4	2(4) Bolt	100.01mm	140mm	1/2-13	125mm	3/8-16	M18268100MV	6.06	6.81	M18270100MV	6.25	7.00		
125 A2/B4	2(4) Bolt	125.01mm	180mm	5/8-11	160mm	1/2-13	M18268125MV	6.06	6.81	M18270125MV	6.25	7.00		
PUMP FLANGE			PUMP END DATA					6.81 LENGTH			7.00 LENGTH			

MAGNALOY'S PUMP/ENGINE MOUNTS are available for mounting SAE flange-mount pumps to gasoline and diesel engines with pilot mounting capabilities. Four basic engine pilot mounting configurations are available from inventory determined by the pilot diameter. Optional sizes are available upon request.



Engine Mount Selection Method

1. Check Pump Flange Tables in Reference Section, page 31 or section "R", to determine pump flange size.
2. Determine the Engine Pilot Group from TABLE 20 below (other sizes available, consult factory).
3. Measure the pump shaft length from the shaft end to the flange mounting face and ADD to the engine shaft length measured from the shaft end to pilot face. An additional 1/16 inch (minimum) is recommended for shaft end clearance.
4. Refer to the appropriate TABLE (21 thru 24) according to the Engine Pilot Group determined in STEP 2, above and locate the applicable pump flange selection from STEP 1, above.
5. Select the mount length option (dimension 'XM' in tables) based on the minimum length determined in STEP 3, above.
6. Check for proper clearance between the mount inner surfaces and the coupling O.D. (dimension 'Z' and 'CL' in tables).
Dimensional data for Magnaloy Couplings is shown in Tables on (page 4 in Complete Catalog) for reference. For the latest product information, Visit us at www.magnaloy.com.

Check out our **Product Configurator Program**
<https://configurator.magnaloy.com>

TABLE 20 - Engine Pilot Groups

Size	K	J
E575	5.75	6.50
E644	6.437	7.75
E700	7.00	7.75
E787	7.875	9.25
Pilot Group Size	Pilot Dia.	Bolt Circle Dia.

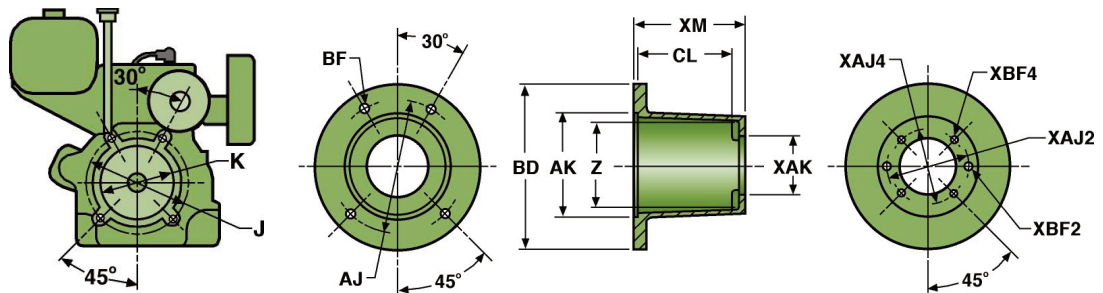


TABLE 21 - E575 Pilot Gasoline and Diesel Engines

ENGINE END DATA AJ BF BD AK	XAK	XAJ2	XBF2	XAJ4	XBF4	MOUNT NO.	RADIAL CLEARANCE "Z" = 4.15			"Z" = 4.15			"Z" = 5.00				
							CL	XM	MOUNT NO.	CL	XM	MOUNT NO.	CL	XM			
6.50																	
13/32																	
7.50																	
5752																	
USA4F17	4 Bolt	1.782		2.84	5/16-18	E575504F	4.31	5.00	E575524F	4.56	5.25	E575604F	5.14	6.06			
SAE AA	2 Bolt	2.001	3/8-16			E575502AA	4.31	5.00	E575522AA	4.56	5.25	E575602AA	5.14	6.06			
SAE A	2(4) Bolt	3.251	3/8-16	4.12	3/8-16	E575502A	4.31	5.00	E575522A	4.56	5.25	E575602A	5.14	6.06			
SAE B	2(4) Bolt	4.001	1/2-13	5.00	1/2-13	E575502B*	3.93	5.00	E575522B*	4.18	5.25	E575602B	5.14	6.06			
63A2/B4	2(4) Bolt	63.01mm	100mm	85mm	5/16-18	E5755063M	4.31	5.00	E5755263M	4.56	5.25	E5756063M	5.14	6.06			
63 S4	4 Bolt	63.01mm		80mm	11/32	E5755063MS	4.31	5.00	E5755263MS	4.56	5.25	E5756063MS	5.14	6.06			
80 A2/B4	2(4) Bolt	80.01mm	109mm	103mm	5/16-18	E5755080M	4.31	5.00	E5755280M	4.56	5.25	E5756080M	5.14	6.06			
80 S4	4 Bolt	80.01mm		100mm	5/16-18	E5755080MS	4.31	5.00	E5755280MS	4.56	5.25	E5756080MS	5.14	6.06			
100 A2/B4	2(4) Bolt	100.01mm	140mm	125mm	3/8-16	E57550100M*	3.93	5.00	E57552100M*	4.18	5.25	E57560100M	5.14	6.06			
	PUMP FLANGE	PUMP END DATA				5.00 LENGTH			5.25 LENGTH			6.06 LENGTH **					

** SOCKET HEAD CAP SCREWS REQUIRED ON ENGINE END, THIS LENGTH ONLY. RADIAL CLEARANCE "Z" = 5.00, THIS LENGTH ONLY.

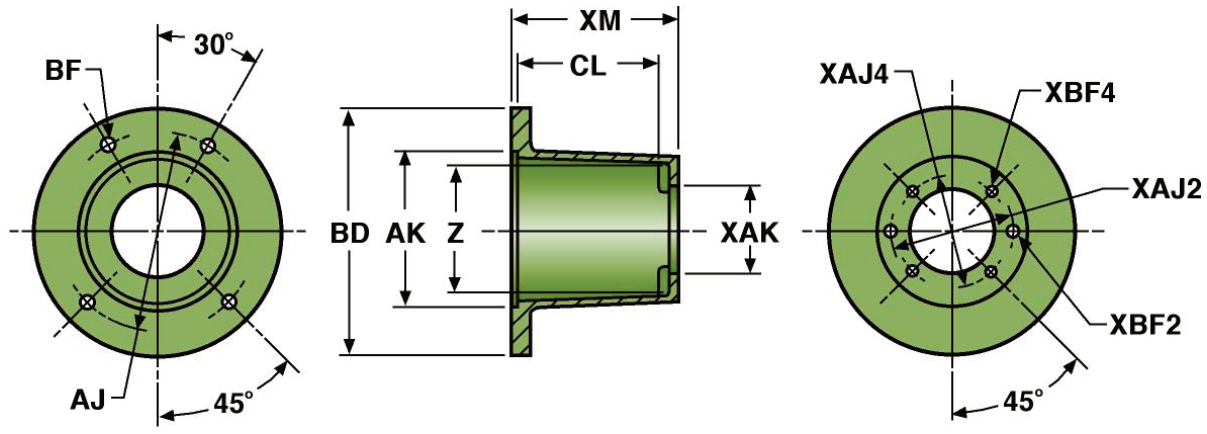
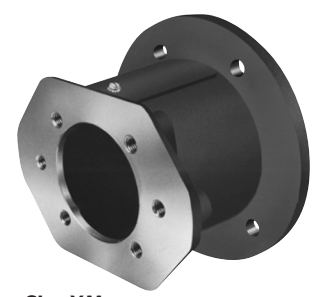


TABLE 22 - E644 Pilot Gasoline and Diesel Engines



ENGINE END DATA
AJ BF BD AK
7.75 15/32 9.00 6.439

RADIAL CLEARANCE "Z" = 5.00

		XAK	XAJ2	XBF2	XAJ4	XBF4	MOUNT NO.	CL	XM	MOUNT NO.	CL	XM
USA4F17	4 Bolt	1.782			2.84	5/16-18	E644504F	4.05	5.00	E644554F	4.36	5.50
SAE AA	2 Bolt	2.001	3.25	3/8-16			E644502AA	4.05	5.00	E644552AA	4.36	5.50
SAE A	2(4) Bolt	3.251	4.19	3/8-16	4.12	3/8-16	E644502A	4.05	5.00	E644552A	4.36	5.50
SAE B	2(4) Bolt	4.001	5.75	1/2-13	5.00	1/2-13				E644552B	4.36	5.50
63 A2/B4	2(4) Bolt	63.01mm	100mm	5/16-18	85mm	5/16-18	E6445063M	4.05	5.00	E6445563M	4.36	5.50
63 S4	4 Bolt	63.01mm			80mm	11/32	E6445063MS	4.05	5.00	E6445563MS	4.36	5.50
80 A2/B4	2(4) Bolt	80.01mm	109mm	3/8-16	103mm	5/16-18	E6445080M	4.05	5.00	E6445580M	4.36	5.50
80 S4	4 Bolt	80.01mm			100mm	5/16-18	E6445080MS	4.05	5.00	E6445580MS	4.36	5.50
100 A2/B4	2(4) Bolt	100.01mm	140mm	1/2-13	125mm	3/8-16				E64455100M	4.36	5.50

PUMP FLANGE PUMP END DATA 5.00 LENGTH 5.50 LENGTH

ENGINE END DATA
AJ BF BD AK
7.75 15/32 9.00 6.439

RADIAL CLEARANCE "Z" = 5.00


		XAK	XAJ2	XBF2	XAJ4	XBF4	MOUNT NO.	CL	XM	MOUNT NO.	CL	XM	MOUNT NO.	CL	XM
USA4F17	4 Bolt	1.782			2.84	5/16-18	E644604F	5.11	6.00	E644704F	6.11	7.00			
SAE AA	2 Bolt	2.001	3.25	3/8-16			E644602AA	5.11	6.00	E644702AA	6.11	7.00			
SAE A	2(4) Bolt	3.251	4.19	3/8-16	4.12	3/8-16	E644602A	5.11	6.00	E644702A	6.11	7.00			
SAE B	2(4) Bolt	4.001	5.75	1/2-13	5.00	1/2-13	E644602B	5.11	6.00	E644702B	6.11	7.00	E644722B	6.31	7.25
SAE C	2(4) Bolt	5.001	7.12	5/8-11	6.38	1/2-13	E644602C	5.11	6.00	E644702C	6.11	7.00	E644722C	6.31	7.25
63 A2/B4	2(4) Bolt	63.01mm	100mm	5/16-18	85mm	5/16-18	E6446063M	5.11	6.00	E6447063M	6.11	7.00			
63 S4	4 Bolt	63.01mm			80mm	11/32	E6446063MS	5.11	6.00	E6447063MS	6.11	7.00			
80 A2/B4	2(4) Bolt	80.01mm	109mm	3/8-16	103mm	5/16-18	E6446080M	5.11	6.00	E6447080M	6.11	7.00			
80 S4	4 Bolt	80.01mm			100mm	5/16-18	E6446080MS	5.11	6.00	E6447080MS	6.11	7.00			
100 A2/B4	2(4) Bolt	100.01mm	140mm	1/2-13	125mm	3/8-16	E64460100M	5.11	6.00	E64470100M	6.11	7.00	E64472100M	6.31	7.25
125 A2/B4	2(4) Bolt	125.01mm	180mm	5/8-11	160mm	1/2-13	E64460125M	5.11	6.00	E64470125M	6.11	7.00	E64472125M	6.31	7.25

PUMP FLANGE PUMP END DATA 6.00 LENGTH 7.00 LENGTH 7.25 LENGTH

TABLE 23 - E700 Pilot Gasoline and Diesel Engines

ENGINE END DATA
AJ BF BD AK
7.75 1.5/32 9.00 7.002

RADIAL CLEARANCE "Z" = 5.00



		XAK	XAJ2	XBF2	XAJ4	XBF4	MOUNT NO.	CL	XM	MOUNT NO.	CL	XM
USA4F17	4 Bolt	1.782			2.84	5/16-18	E700504F	4.05	5.00	E700554F	4.36	5.50
SAE AA	2 Bolt	2.001	3.25	3/8-16			E700502AA	4.05	5.00	E700552AA	4.36	5.50
SAE A	2(4) Bolt	3.251	4.19	3/8-16	4.12	3/8-16	E700502A	4.05	5.00	E700552A	4.36	5.50
SAE B	2(4) Bolt	4.001	5.75	1/2-13	5.00	1/2-13				E700552B	4.36	5.50
63 A2/B4	2(4) Bolt	63.01mm	100mm	5/16-18	85mm	5/16-18	E7005063M	4.05	5.00	E7005563M	4.36	5.50
63 S4	4 Bolt	63.01mm			80mm	11/32	E7005063MS	4.05	5.00	E7005563MS	4.36	5.50
80 A2/B4	2(4) Bolt	80.01mm	109mm	3/8-16	103mm	5/16-18	E7005080M	4.05	5.00	E7005580M	4.36	5.50
80 S4	4 Bolt	80.01mm			100mm	5/16-18	E7005080MS	4.05	5.00	E7005580MS	4.36	5.50
100 A2/B4	2(4) Bolt	100.01mm	140mm	1/2-13	125mm	3/8-16				E70055100M	4.36	5.50

PUMP FLANGE PUMP END DATA 5.00 LENGTH 5.50 LENGTH

ENGINE END DATA
AJ BF BD AK
7.75 1.5/32 9.00 7.002

RADIAL CLEARANCE "Z" = 5.00

		XAK	XAJ2	XBF2	XAJ4	XBF4	MOUNT NO.	CL	XM	MOUNT NO.	CL	XM	MOUNT NO.	CL	XM
USA4F17	4 Bolt	1.782			2.84	5/16-18	E700604F	5.11	6.00	E700704F	6.11	7.00			
SAE AA	2 Bolt	2.001	3.25	3/8-16			E700602AA	5.11	6.00	E700702AA	6.11	7.00			
SAE A	2(4) Bolt	3.251	4.19	3/8-16	4.12	3/8-16	E700602A	5.11	6.00	E700702A	6.11	7.00			
SAE B	2(4) Bolt	4.001	5.75	1/2-13	5.00	1/2-13	E700602B	5.11	6.00	E700702B	6.11	7.00	E700722B	6.31	7.25
SAE C	2(4) Bolt	5.001	7.12	5/8-11	6.38	1/2-13	E700602C	5.11	6.00	E700702C	6.11	7.00	E700722C	6.31	7.25
63 A2/B4	2(4) Bolt	63.01mm	100mm	5/16-18	85mm	5/16-18	E7006063M	5.11	6.00	E7007063M	6.11	7.00			
63 S4	4 Bolt	63.01mm			80mm	11/32	E7006063MS	5.11	6.00	E7007063MS	6.11	7.00			
80 A2/B4	2(4) Bolt	80.01mm	109mm	3/8-16	103mm	5/16-18	E7006080M	5.11	6.00	E7007080M	6.11	7.00			
80 S4	4 Bolt	80.01mm			100mm	5/16-18	E7006080MS	5.11	6.00	E7007080MS	6.11	7.00			
100 A2/B4	2(4) Bolt	100.01mm	140mm	1/2-13	125mm	3/8-16	E70060100M	5.11	6.00	E70070100M	6.11	7.00	E70072100M	6.31	7.25
125 A2/B4	2(4) Bolt	125.01mm	180mm	5/8-11	160mm	1/2-13	E70060125M	5.11	6.00	E70070125M	6.11	7.00	E70072125M	6.31	7.25

PUMP FLANGE PUMP END DATA 6.00 LENGTH 7.00 LENGTH 7.25 LENGTH

TABLE 24 - E787 Pilot Gasoline and Diesel Engines

ENGINE END DATA
AJ BF BD AK
9.25 21/32 11.00 7.877

RADIAL CLEARANCE "Z" = 6.40

		XAK	XAJ2	XBF2	XAJ4	XBF4	MOUNT NO.	CL	XM	MOUNT NO.	CL	XM	MOUNT NO.	CL	XM
SAE A	2(4) Bolt	3.251	4.19	3/8-16	4.12	3/8-16	E787682A	5.80	6.88	E787752A	6.42	7.50	E787862A	7.61	8.69
SAE B	2(4) Bolt	4.001	5.75	1/2-13	5.00	1/2-13	E787682B	5.80	6.88	E787752B	6.42	7.50	E787862B	7.61	8.69
SAE C	2(4) Bolt	5.001	7.12	5/8-11	6.38	1/2-13	E787682C	5.80	6.88	E787752C	6.42	7.50	E787862C	7.61	8.69
63 A2/B4	2(4) Bolt	63.01mm	100mm	5/16-18	85mm	5/16-18	E7876863M	5.80	6.88	E7877563M	6.42	7.50	E7878663M	7.61	8.69
63 S4	4 Bolt	63.01mm			80mm	11/32	E7876863MS	5.80	6.88	E7877563MS	6.42	7.50	E7878663MS	7.61	8.69
80 A2/B4	2(4) Bolt	80.01mm	109mm	3/8-16	103mm	5/16-18	E7876880M	5.80	6.88	E7877580M	6.42	7.50	E7878680M	7.61	8.69
80 S4	4 Bolt	80.01mm			100mm	5/16-18	E7876880MS	5.80	6.88	E7877580MS	6.42	7.50	E7878680MS	7.61	8.69
100 A2/B4	2(4) Bolt	100.01mm	140mm	1/2-13	125mm	3/8-16	E78768100M	5.80	6.88	E78775100M	6.42	7.50	E78786100M	7.61	8.69
125 A2/B4	2(4) Bolt	125.01mm	180mm	5/8-11	160mm	1/2-13	E78768125M	5.80	6.88	E78775125M	6.42	7.50	E78786125M	7.61	8.69

PUMP FLANGE PUMP END DATA 6.88 LENGTH 7.50 LENGTH 8.69 LENGTH

TABLE 26 - NEMA 182TC - 256TC, 254UC/256UC

MOTOR END DATA

AJ BF BD AK

7.25 17/32 9.00 8.501

RADIAL CLEARANCE "Z" = 5.04

(METRIC MOTORS ALSO AVAILABLE)

		XAK	XAJ2	XBF2	XAJ4	XBF4	XBD	MOUNT NO.
USA4F17	4 Bolt	1.782			2.84	5/16-18	6.00	S182 -- 4F
SAE AA	2 Bolt	2.001	3.25	3/8-16			6.00	S182 -- 2AA
SAE A	2(4) Bolt	3.251	4.19	3/8-16	4.12	3/8-16	6.00	S182 -- 2A
SAE B	2(4) Bolt	4.001	5.75	1/2-13	5.00	1/2-13	7.00	S182 -- 2B
SAE C	2(4) Bolt	5.001	7.12	5/8-11	6.38	1/2-13	8.25	S182 -- 2C
SAE D	2(4) Bolt	6.001	9.00	3/4-10	9.00	3/4-10	10.50	S182 -- 2D
63 A2/B4	2(4) Bolt	63.01mm	100mm	5/16-18	85mm	5/16-18	6.00	S182--63M
63 S4	4 Bolt	63.01mm			80mm	11/32	6.00	S182--63MS
80 A2/B4	2(4) Bolt	80.01mm	109mm	3/8-16	103mm	5/16-18	6.00	S182--80M
80 S4	4 Bolt	80.01mm			100mm	5/16-18	6.00	S182--80MS
100 A2/B4	2(4) Bolt	100.01mm	140mm	1/2-13	125mm	3/8-16	7.00	S182--100M
125 A2/B4	2(4) Bolt	125.01mm	180mm	5/8-11	160mm	1/2-13	8.25	S182--125M
160 A2/B4	2(4) Bolt	160.01mm	224mm	3/4-10	200mm	5/8-11	10.50	S182--160M
180 A2/B4	2(4) Bolt	180.01mm	250mm	3/4-10	224mm	5/8-11	11.25	S182--180M

PUMP FLANGE

PUMP END DATA

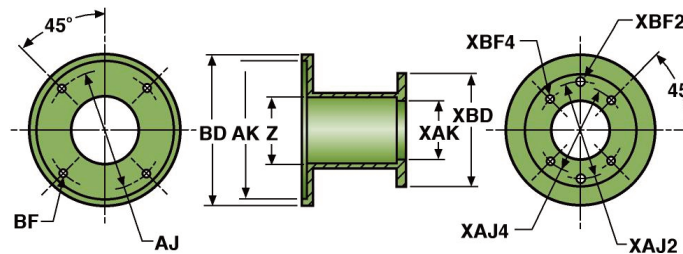


TABLE 27 - NEMA 284TC/TSC - 286TC/TSC, 284UC/286UC

MOTOR END DATA

AJ BF BD AK

9.00 17/32 11.00 10.501

RADIAL CLEARANCE "Z" = 6.06

(METRIC MOTORS ALSO AVAILABLE)

		XAK	XAJ2	XBF2	XAJ4	XBF4	XBD	MOUNT NO.
SAE A	2(4) Bolt	3.251	4.19	3/8-16	4.12	3/8-16	7.00	S284 -- 2A
SAE B	2(4) Bolt	4.001	5.75	1/2-13	5.00	1/2-13	7.00	S284 -- 2B
SAE C	2(4) Bolt	5.001	7.12	5/8-11	6.38	1/2-13	8.25	S284 -- 2C
SAE D	2(4) Bolt	6.001	9.00	3/4-10	9.00	3/4-10	10.50	S284 -- 2D
SAE E	2(4) Bolt	6.501	12.50	1-8	12.50	3/4-10	15.00	S284 -- 2E
SAE F	2(4) Bolt	7.001	13.78	1-8	13.78	1-8	16.00	S284 -- 2F
100 A2/B4	2(4) Bolt	100.01mm	140mm	1/2-13	125mm	3/8-16	7.00	S284 -- 100M
125 A2/B4	2(4) Bolt	125.01mm	180mm	5/8-11	160mm	1/2-13	8.25	S284 -- 125M
160 A2/B4	2(4) Bolt	160.01mm	224mm	3/4-10	200mm	5/8-11	10.50	S284 -- 160M
180 A2/B4	2(4) Bolt	180.01mm	250mm	3/4-10	224mm	5/8-11	11.25	S284 -- 180M
200 A2/B4	2(4) Bolt	200.01mm	280mm	1-8	250mm	3/4-10	13.50	S284 -- 200M
250 B4	4 Bolt	250.01mm			315mm	1-8	15.00	S284 -- 250M

PUMP FLANGE

PUMP END DATA

MAGNALOY'S VERTICAL WELDED STEEL MOUNTS utilize an Oversize Motor Flange-Tank Top Mounting design. Tank top openings (TD) and mounting hole dimensions (XT & T) are shown on the following drawing and tables. The Vertical Welded Steel Pump/Motor Mounts are also available for metric size motors and pumps, consult factory for special requirements. To select a welded steel vertical mount follow the selection method detailed on page 11 or use our online Product Configurator. The length determined will be the minimum length recommended, additional length can be added depending upon coupling selection, consult factory for further assistance.

2

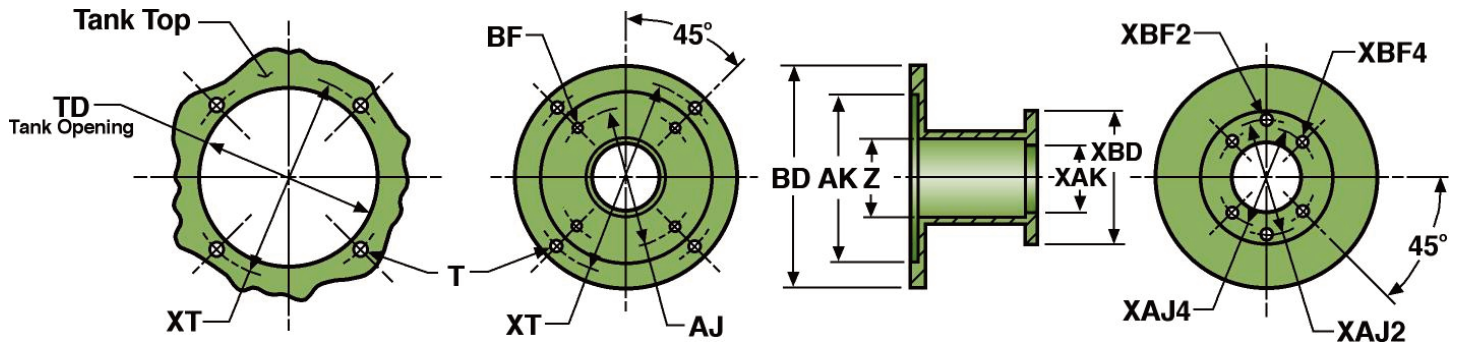


TABLE 30 - NEMA 56C, 143TC/145TC, 182UC/184UC

	MOTOR END DATA			RADIAL CLEARANCE "Z" = 4.03 MOUNTING HOLE DIA. "T" = 17/32							MOUNT NO. (METRIC MOTORS ALSO AVAILABLE)		
	AJ	BF	AK	XAK	XAJ2	XBF2	XAJ4	XBF4	XBD	BD		XT	TD
USA4F17	4 Bolt	1.782					2.84	5/16-18	6.00	11.38	10.25	9.125	S056 -- 4FV
SAE AA	2 Bolt	2.001	3.25	3/8-16					6.00	11.38	10.25	9.125	S056 -- 2AAV
SAE A	2(4) Bolt	3.251	4.19	3/8-16	4.12	3/8-16			6.00	11.38	10.25	9.125	S056 -- 2AV
SAE B	2(4) Bolt	4.001	5.75	1/2-13	5.00	1/2-13			7.00	11.38	10.25	9.125	S056 -- 2BV
SAE C	2(4) Bolt	5.001	7.12	5/8-11	6.38	1/2-13			8.25	11.38	10.25	9.125	S056 -- 2CV
63 A2/B4	2(4) Bolt	63.01mm	100mm	5/16-18	85mm	5/16-18			6.00	11.38	10.25	9.125	S056 -- 63MV
63 S4	4 Bolt	63.01mm			80mm	11/32			6.00	11.38	10.25	9.125	S056 -- 63MSV
80 A2/B4	2(4) Bolt	80.01mm	109mm	3/8-16	103mm	5/16-18			6.00	11.38	10.25	9.125	S056 -- 80MV
80 S4	4 Bolt	80.01mm			100mm	5/16-18			6.00	11.38	10.25	9.125	S056 -- 80MSV
100 A2/B4	2(4) Bolt	100.01mm	140mm	1/2-13	125mm	3/8-16			7.00	11.38	10.25	9.125	S056 -- 100MV
125 A2/B4	2(4) Bolt	125.01mm	180mm	5/8-11	160mm	1/2-13			8.25	11.38	10.25	9.125	S056 -- 125MV

PUMP FLANGE

PUMP END DATA

MOTOR END DATA

TABLE 31 - NEMA 182TC - 256TC, 254UC/256UC

MOTOR END DATA		RADIAL CLEARANCE "Z" = 5.04 MOUNTING HOLE DIA. "T" = 17/32										MOUNT NO. (METRIC MOTORS ALSO AVAILABLE)				
AJ	BF	AK	XAK	XAJ2	XBF2	XAJ4	XBF4	XBD	BD	XT	TD					
7.25	17/32	8.501														
USA4F17	4 Bolt	1.782				2.84	5/16-18	6.00	11.50	10.25	9.125	S182 -- 4FV				
SAE AA	2 Bolt	2.001	3.25	3/8-16				6.00	11.50	10.25	9.125	S182 -- 2AAV				
SAE A	2(4) Bolt	3.251	4.19	3/8-16	4.12	3/8-16	6.00	11.50	10.25	9.125	9.125	S182 -- 2AV				
SAE B	2(4) Bolt	4.001	5.75	1/2-13	5.00	1/2-13	7.00	11.50	10.25	9.125	9.125	S182 -- 2BV				
SAE C	2(4) Bolt	5.001	7.12	5/8-11	6.38	1/2-13	8.25	11.50	10.25	9.125	9.125	S182 -- 2CV				
SAE D	2(4) Bolt	6.001	9.00	3/4-10	9.00	3/4-10	10.50	13.50	11.81	11.00	11.00	S182 -- 2DV				
63 A2/B4	2(4) Bolt	63.01mm	100mm	3/8-16	85mm	5/16-18	6.00	11.50	10.25	9.125	9.125	S182 -- 63MV				
63 S4	4 Bolt	63.01mm			80mm	11/32	6.00	11.50	10.25	9.125	9.125	S182 -- 63MSV				
80 A2/B4	2(4) Bolt	80.01mm	109mm	3/8-16	103mm	5/16-18	6.00	11.50	10.25	9.125	9.125	S182 -- 80MV				
80 S4	4 Bolt	80.01mm			100mm	5/16-18	6.00	11.50	10.25	9.125	9.125	S182 -- 80MSV				
100 A2/B4	2(4) Bolt	100.01mm	140mm	1/2-13	125mm	3/8-16	7.00	11.50	10.25	9.125	9.125	S182 -- 100MV				
125 A2/B4	2(4) Bolt	125.01mm	180mm	5/8-11	160mm	1/2-13	8.25	11.50	10.25	9.125	9.125	S182 -- 125MV				
160 A2/B4	2(4) Bolt	160.01mm	224mm	3/4-10	200mm	5/8-11	10.50	13.50	12.25	11.00	11.00	S182 -- 160MV				
180 A2/B4	2(4) Bolt	180.01mm	250mm	3/4-10	224mm	5/8-11	11.25	15.00	13.00	11.75	11.75	S182 -- 180MV				

TABLE 32 - NEMA 284TC/TSC - 286TC/TSC, 284UC/286UC

MOTOR END DATA		RADIAL CLEARANCE "Z" = 6.06 MOUNTING HOLE DIA. "T" = 17/32										MOUNT NO. (METRIC MOTORS ALSO AVAILABLE)				
AJ	BF	AK	XAK	XAJ2	XBF2	XAJ4	XBF4	XBD	BD	XT	TD					
9.00	17/32	10.501														
SAE A	2(4) Bolt	3.251	4.19	3/8-16	4.12	3/8-16	7.00	13.50	12.25	10.75	10.75	S284 -- 2AV				
SAE B	2(4) Bolt	4.001	5.75	1/2-13	5.00	1/2-13	7.00	13.50	12.25	10.75	10.75	S284 -- 2BV				
SAE C	2(4) Bolt	5.001	7.12	5/8-11	6.38	1/2-13	8.25	13.50	12.25	10.75	10.75	S284 -- 2CV				
SAE D	2(4) Bolt	6.001	9.00	3/4-10	9.00	3/4-10	10.50	13.50	12.25	11.00	11.00	S284 -- 2DV				
SAE E	2(4) Bolt	6.501	12.50	1-8	12.50	3/4-10	15.00	18.00	16.75	15.50	15.50	S284 -- 2EV				
SAE F	2(4) Bolt	7.001	13.78	1-8	13.78	1-8	16.00	19.50	18.00	16.50	16.50	S284 -- 2FV				
100 A2/B4	2(4) Bolt	100.01mm	140mm	1/2-13	125mm	3/8-16	7.00	13.50	12.25	10.75	10.75	S284 -- 100MV				
125 A2/B4	2(4) Bolt	125.01mm	180mm	5/8-11	160mm	1/2-13	8.25	13.50	12.25	10.75	10.75	S284 -- 125MV				
160 A2/B4	2(4) Bolt	160.01mm	224mm	3/4-10	200mm	5/8-11	10.50	13.50	12.25	11.00	11.00	S284 -- 160MV				
180 A2/B4	2(4) Bolt	180.01mm	250mm	3/4-10	224mm	5/8-11	11.25	18.00	16.50	15.50	15.50	S284 -- 180MV				
200 A2/B4	2(4) Bolt	200.01mm	280mm	1-8	250mm	3/4-10	13.50	19.50	18.00	16.50	16.50	S284 -- 200MV				
250 B4	4 Bolt	250.01mm			315mm	1-8	15.00	19.50	18.00	16.50	16.50	S284 -- 250MV				

MAGNALOY'S WELDED STEEL ENGINE MOUNTS are available for all engine pilot size configurations in addition to the 4 basic sizes listed. Metric pump flanges are also available, consult factory for special requirements. To select a welded steel pump/engine mount, follow the selection method detailed on page 14 or use our online Product Configurator. The length determined will be the minimum length recommended, additional length can be added depending upon coupling selection, consult factory for further assistance.



2

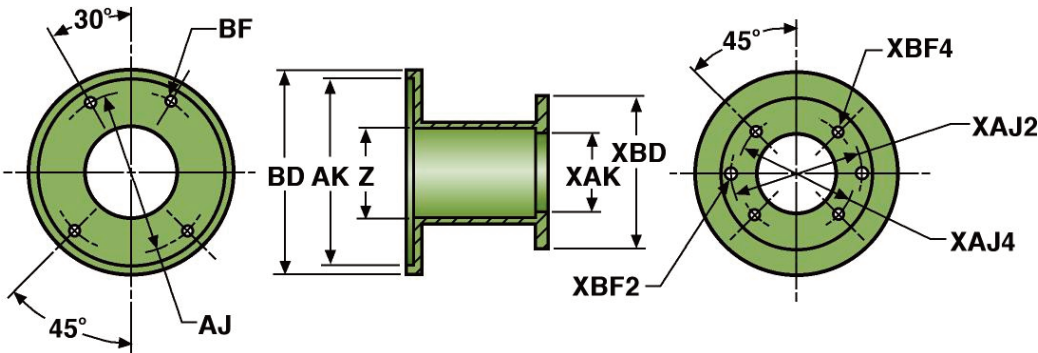


TABLE 35 - E575 Pilot Gasoline and Diesel Engines

ENGINE END DATA
AJ BF BD AK

RADIAL CLEARANCE "Z" = 4.03

		XAK	XAJ2	XBF2	XAJ4	XBF4	XBD	MOUNT NO.
USA4F17	4 Bolt	1.782			2.84	5/16-18	6.00	SE575 -- 4F
SAE AA	2 Bolt	2.001	3.25	3/8-16			6.00	SE575 -- 2AA
SAE A	2(4) Bolt	3.251	4.19	3/8-16	4.12	3/8-16	6.00	SE575 -- 2A
SAE B	2(4) Bolt	4.001	5.75	1/2-13	5.00	1/2-13	7.00	SE575 -- 2B
63 A2/B4	2(4) Bolt	63.01mm	100mm	5/16-18	85mm	5/16-18	6.00	SE575 -- 63M
63 S4	4 Bolt	63.01mm			80mm	11/32	6.00	SE575 -- 63MS
80 A2/B4	2(4) Bolt	80.01mm	109mm	3/8-16	103mm	5/16-18	6.00	SE575 -- 80M
80 S4	4 Bolt	80.01mm			100mm	5/16-18	6.00	SE575 -- 80MS
100 A2/B4	2(4) Bolt	100.01mm	140mm	1/2-13	125mm	3/8-16	7.00	SE575 -- 100M

PUMP FLANGE PUMP END DATA

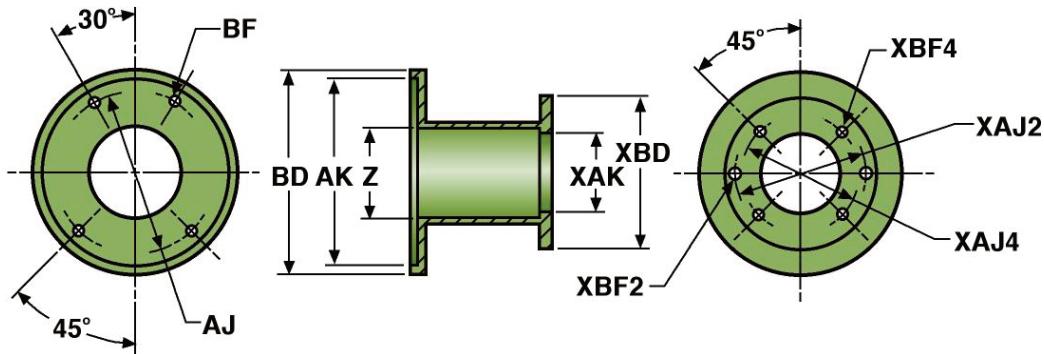


TABLE 38 - E787 Pilot Gasoline and Diesel Engines

ENGINE END DATA

AJ BF BD AK

9.25 21/32 11.00 7.877

RADIAL CLEARANCE "Z" = 6.06

		XAK	XAJ2	XBF2	XAJ4	XBF4	XBD	MOUNT NO.
USA4F17	4 Bolt	1.782			2.84	5/16-18	7.00	SE787 -- 4F
SAE AA	2 Bolt	2.001	3.25	3/8-16			7.00	SE787 -- 2AA
SAE A	2(4) Bolt	3.251	4.19	3/8-16	4.12	3/8-16	7.00	SE787 -- 2A
SAE B	2(4) Bolt	4.001	5.75	1/2-13	5.00	1/2-13	7.00	SE787 -- 2B
SAE C	2(4) Bolt	5.001	7.12	5/8-11	6.38	1/2-13	8.25	SE787 -- 2C
SAE D	2(4) Bolt	6.001	9.00	3/4-10	9.00	3/4-10	10.50	SE787 -- 2D
100 A2/B4	2(4) Bolt	100.01mm	140mm	1/2-13	125mm	3/8-16	7.00	SE787 -- 100M
125 A2/B4	2(4) Bolt	125.01mm	180mm	5/8-11	160mm	1/2-13	8.25	SE787 -- 125M
160 A2/B4	2(4) Bolt	160.01mm	224mm	3/4-10	200mm	5/8-11	10.50	SE787 -- 160M
180 A2/B4	2(4) Bolt	180.01mm	250mm	3/4-10	224mm	5/8-11	11.25	SE787 -- 180M

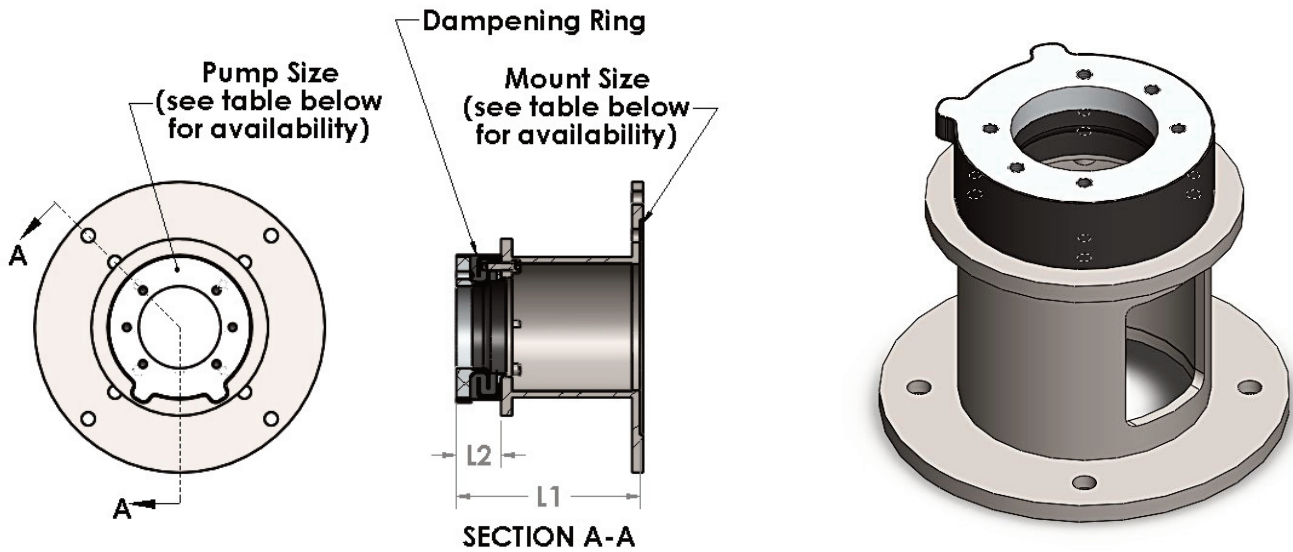
PUMP FLANGE PUMP END DATA

Magnaloy's Product Configurator Program: This unique computer program allows the user to input the pump manufacturer and model number and motor size. The correct Magnaloy Coupling and Horizontal or Vertical Pump/Motor Mount size is determined. If Magnaloy does not offer an Aluminum mount to fit the input parameters, a steel mount is selected showing the minimum and maximum face-to-face length required. Motor selection includes NEMA motor frames, IEC motor frames and IC Engines. IC Engines are selected by manufacturer and model number.

NEW: The Magnaloy Product Configurator Program is now available as a Web-Based program on the Magnaloy web site (www.magnaloy.com). You will need a user name and password (supplied by magnaloy) to gain access. This program contains all the latest edits to the data base and program.

Check out our **Product Configurator Program**
<https://configurator.magnaloy.com>

2

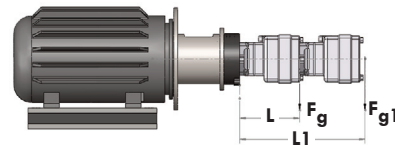


Magnaloy offers a line of Vibration/Noise Dampening Rings for use in conjunction with their Pump/Motor Mounts to provide reduced noise and vibration in these assemblies. These Pump/Motor Mount assemblies can be used in combination with Magnaloy's Motor Dampening Bars (page 179 in Complete Catalog) to provide additional noise dampening capabilities. All Magnaloy Dampening Rings offer the features listed below and are available in Welded Steel Pump/Motor Mounts only.

Selection Method: See page 4 (Horizontal application) or page 11 (Vertical application) for determining the length of the pump/motor mount required based upon the motor and pump being used. OR use Magnaloy's Product Configuration Program and select "Steel Mount" to obtain the length range for the pump/motor mount. From this length, subtract the length of the required Dampening Ring (dimension L2) shown in the table below. This will provide the length of the Pump/Motor Mount required for the application. Consult factory for assistance.

Features

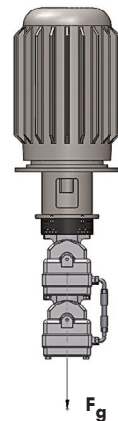
- Design offers failsafe interlocking metal components with no direct contact and vulcanized for superior noise dampening.
- Design offers high load bearing capabilities for use with multiple pump arrangements.
- Excellent noise dampening characteristics.
- Excellent hydraulic fluid compatibility.



Horizontal Mounting

The Pump Weight (F_g), cannot exceed the Maximum Load (F_{max}) from table below.

NOTE: For Horizontal Mounting with C of G locations greater than L (shown in table below), use conversion formula.



Vertical Mounting

Ring Size	D150	D190	D230	D260	D330
Characteristic					
Distance from face of Ring to C of G for load L	4 inch	4 inch	4 inch	8 inch	8 inch
Maximum Load F_{max}	2,900 lb	8,000 lb	13,300 lb	10,200 lb	18,200 lb

Conversion Formula

$$F_{g1} = F_{max} * L / L1$$

Note: if $L1 < L$, $F_{g1} = F_{max}$

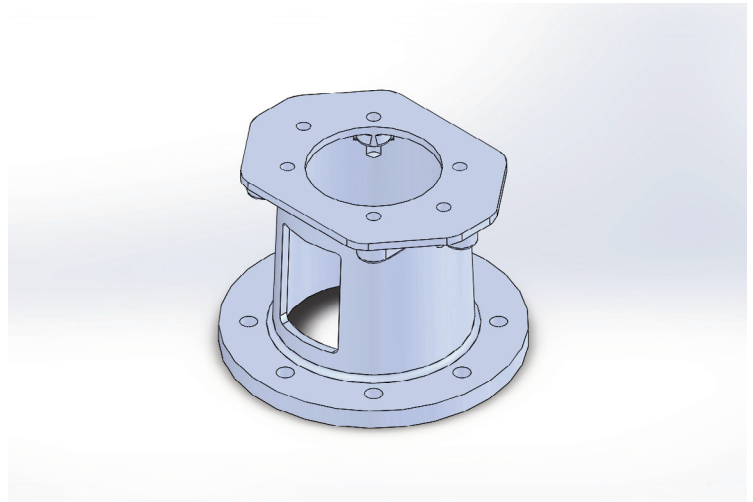
Dampening Ring Availability

Damping Ring Size	Motor Mount Avail Sizes	Motor End Data	Pump Flange Avail Sizes	Pump End Data	Dampening Ring Length (L2)	Mount Face-to-Face Length (L1)
D150	NEMA 056 NEMA 182	See Reference Section Page 32 for NEMA Motor Frame Dimensional data	SAE 4F17 thru SAE A 2/4 Bolt ISO 32 A2 thru ISO 80 A2/B4	See Reference Section Page 31 for Pump Flange Dimensional data	1.772	Determined by Motor and Pump Dimensional Data, consult factory
D190	NEMA 182 NEMA 284	See Reference Section Page 32 for NEMA Motor Frame Dimensional data	SAE 4F17 thru SAE B 2/4 Bolt ISO 32 A2 thru ISO 112 A2/B4	See Reference Section Page 31 for Pump Flange Dimensional data	1.772	Determined by Motor and Pump Dimensional Data, consult factory
D230	NEMA 284 NEMA 324	See Reference Section Page 32 for NEMA Motor Frame Dimensional data	SAE B 2/4 Bolt thru SAE C 2/4 Bolt ISO 100 A2/B4 thru ISO 140 A2/B4	See Reference Section Page 31 for Pump Flange Dimensional data	2.283	Determined by Motor and Pump Dimensional Data, consult factory
D260	NEMA 324 NEMA 444	See Reference Section Page 32 for NEMA Motor Frame Dimensional data	SAE B 2/4 Bolt thru SAE C 2/4 Bolt ISO 100 A2/B4 thru ISO 160 A2/B4	See Reference Section Page 31 for Pump Flange Dimensional data	2.283	Determined by Motor and Pump Dimensional Data, consult factory
D330	NEMA 324 NEMA 444	See Reference Section Page 32 for NEMA Motor Frame Dimensional data	SAE C 2/4 Bolt thru SAE D 2/4 Bolt ISO 125 A2/B4 thru ISO 200 A2/B4	See Reference Section Page 31 for Pump Flange Dimensional data	3.268	Determined by Motor and Pump Dimensional Data, consult factory

2

“M8” Mounting Pattern - special mounting configuration to allow rotation of the Pump/Motor Mount +/- 45° for pump plumbing connections when pump flange is rotated 45°. Four (4) additional holes are located on the motor end of the mount. This feature is ordered by specifying the **M8** suffix at the end of the mount part number.

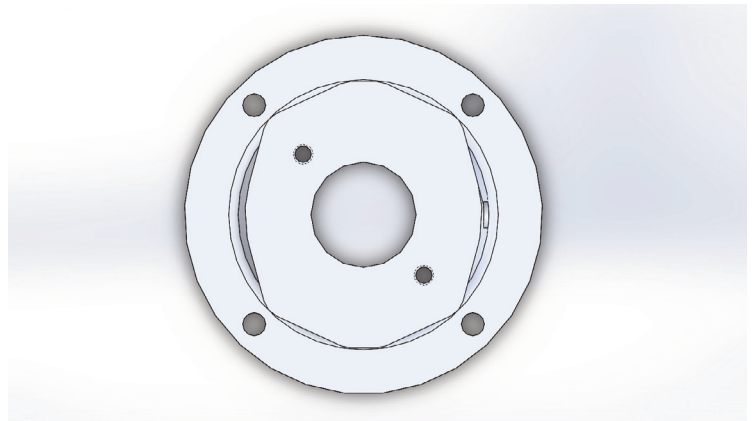
Example 182522BM8.



“45” Mounting Pattern - special mounting configuration to allow rotation of the Pump 45° on the Pump/Motor

Mount for pump plumbing connections when pump flange is rotated 45°. This feature is accomplished by rotating the pump bolt pattern 45° from vertical. This feature is available on all Welded Steel Mounts and 056-USA4F17, SAE AA, SAE A, and ISO 63 & 80 mounts AND 182-USA4F17, SAE AA, SAE A, and ISO 63 & 80 mounts ONLY and is ordered by specifying the **45** suffix at the end of the mount part number.

Example M056352AA45.



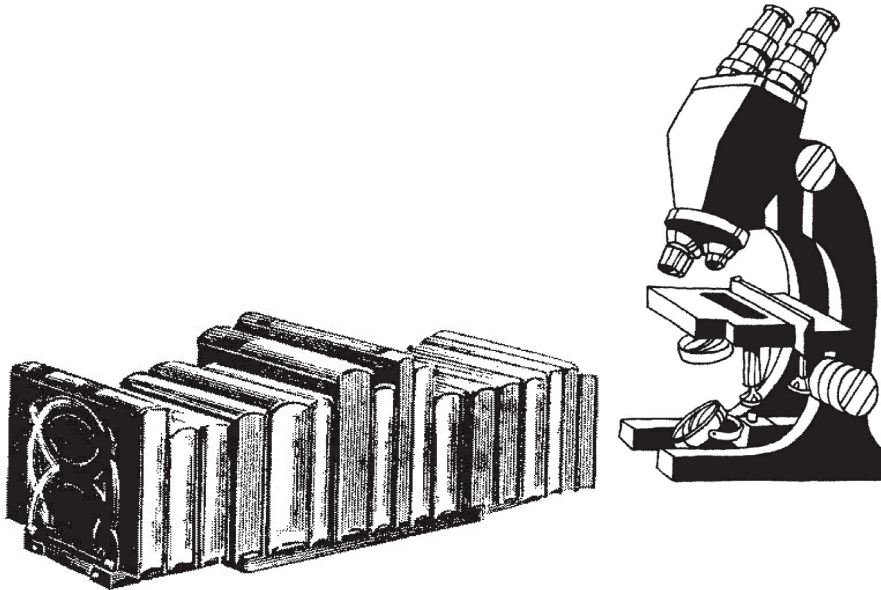
“W” - World Wide Corporation Electric Motor Mounting note: when using Worldwide Corp Electric Motors in the 182 NEMA Frame size with a Pump/Motor Mount in a vertical application, there is interference between the tank mounting bolts and the case of the motor. **This interference is NOT unique to Magnaloy Pump/Motor Mounts**, but Magnaloy has a solution. The tank mounting holes on the Pump/Motor Mount are tapped for 1/2-13 UNC bolts in place of the standard clearance hole. The tank mounting bolts are then inserted from inside the tank through the tank mounting holes in the Pump/Motor Mount. To order this optional mounting configuration, simply specify the Worldwide Motor option designator (**W**) as a suffix to the standard mount part number. Example M182582BVW or S182652BVW.



SECTION R

REFERENCE SECTION

R



NOTE: Due to Magnaloy's policy of continuous improvement, specifications are subject to change without notice.
Check with the factory or our Web Site at www.magnaloy.com for the latest information.

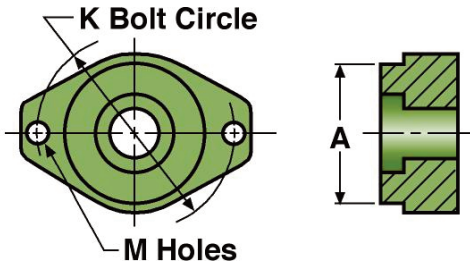
The following pages contain several reference items for use with the various Magnaloy Products. To assist in the use of these pages, the top menu bar indicates the product line most likely to be of interest with the page. Additional information on Magnaloy products can be found on our web site at www.magnaloy.com. This resource would contain the most recent information available.

Reference Pages Table of Contents

Standard SAE and Metric Pump Mounting Dimensions	31
NEMA Motor Frame Dimensions	32
IEC Metric Motor Frame Dimensions	33
I/C Engine Flange Mounting Dimensions	38

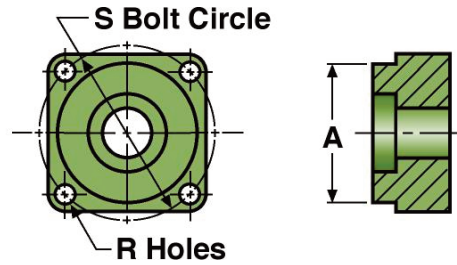
Pump/Motor Mounts - SAE & Metric Mounts

SAE - 2 Bolt Mount Pump Flanges



	A	K	M
SAE AA	2.000	3.250	0.406
SAE A	3.250	4.187	0.438
SAE B	4.000	5.750	0.562
SAE C	5.000	7.125	0.688
SAE D	6.000	9.000	0.812
SAE E	6.500	12.500	1.062
SAE F	7.000	13.781	1.062
Mounting Flange	Pilot Dia.	Flange Dimensions	

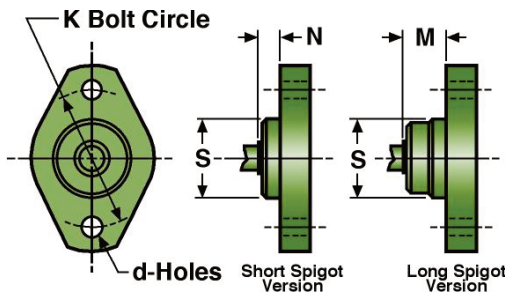
SAE - 4 Bolt Mount Pump Flanges



	A	S	R
USA4F17	1.781	2.838	0.375
SAE A	3.250	4.125	0.438
SAE B	4.000	5.000	0.562
SAE C	5.000	6.375	0.562
SAE D	6.000	9.000	0.812
SAE E	6.500	12.500	0.812
SAE F	7.000	13.781	1.062
Mounting Flange	Pilot Dia.	Flange Dimensions	

R

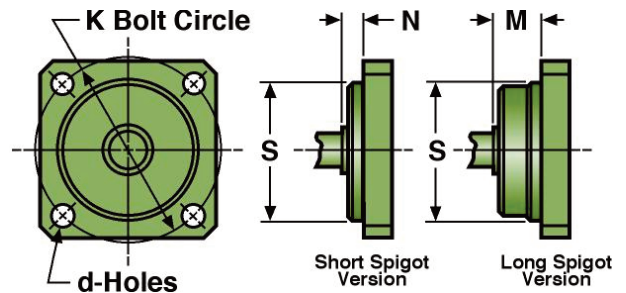
Metric Oval Mount (2 Bolt) Pump Flanges



(All dimensions in mm)

	s	K	d	N	M
32 A2	32	56	6.6	8	16
40 A2	40	63	6.6	8	16
50 A2	50	80	9	8	20
63 A2	63	100	9	8	20
80 A2	80	109	11	8	20
100 A2	100	140	14	10	25
112 A2	112	160	14	10	25
125 A2	125	180	18	10	32
140 A2	140	200	18	10	32
160 A2	160	224	22	10	40
180 A2	180	250	22	10	40
200 A2	200	280	26	10	50
Mounting Flange	Pilot Dia.	Flange Dimensions			

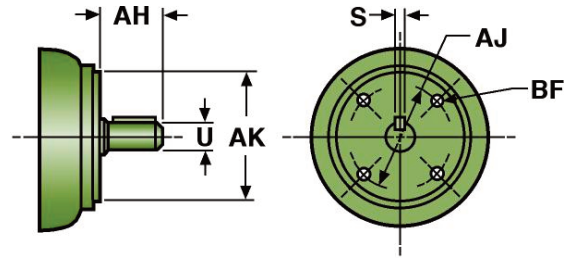
Metric Square Mount (4 Bolt) Pump Flanges



(All dimensions in mm)

	s	K	d	N	M
63 B4	63	85	9	8	20
63 S4	63	80	M8	8	20
80 B4	80	103	9	8	20
80 S4	80	100	9	8	20
100 B4	100	125	11	10	25
112 B4	112	140	11	10	25
125 B4	125	160	14	10	32
140 B4	140	180	14	10	32
160 B4	160	200	18	10	40
180 B4	180	224	18	10	40
200 B4	200	250	22	10	50
224 B4	224	280	22	10	50
250 B4	250	315	26	10	50
Mounting Flange	Pilot Dia.	Flange Dimensions			

NEMA 'C' Face Motor Dimensions



U-Frame Dimensions

	182UC	213UC	254UC	284UC	324UCS	324UC	364UCS	364UC	404UCS	404UC	444UCS	444UC
	184UC	215UC	256UC	286UC	326UCS	326UC	365UCS	365UC	405UCS	405UC	445UCS	445UC
AH	2.125	2.75	3.50	4.625	3.00	5.375	3.50	6.125	4.00	6.875	4.00	8.375
U	7/8	1 1/8	1 3/8	1 5/8	1 5/8	1 7/8	1 7/8	2 1/8	2 1/8	2 3/8	2 1/8	2 7/8
S	3/16	1/4	5/16	3/8	3/8	1/2	1/2	1/2	1/2	5/8	1/2	3/4
AK	4.50	8.50	8.50	10.50	12.50	12.50	12.50	12.50	12.50	12.50	16.00	16.00
AJ	5.875	7.25	7.25	9.00	11.00	11.00	11.00	11.00	11.00	11.00	14.00	14.00
BF	3/8-16	1/2-13	1/2-13	1/2-13	5/8-11	5/8-11	5/8-11	5/8-11	5/8-11	5/8-11	5/8-11	5/8-11
HP*	1 2	3 5	7.5 10	15 20	25 30	25 30	40 50	40 50	60 75	60 75	125 150	125 150

T-Frame Dimensions

	056C	143TC	182TC	213TC	254TC	284TSC	284TC	324TSC	324TC	364TSC	364TC	404TSC	404TC	444TSC	444TC
		145TC	184TC	215TC	256TC	286TSC	286TC	326TSC	326TC	365TSC	365TC	405TSC	405TC	449TSC	449TC
AH	2.062	2.125	2.625	3.125	3.75	3.00	4.375	3.50	5.00	3.50	5.625	4.00	7.00	4.50	8.25
U	5/8	7/8	1 1/8	1 3/8	1 5/8	1 5/8	1 7/8	1 7/8	2 1/8	1 7/8	2 3/8	2 1/8	2 7/8	2 3/8	3 3/8
S	3/16	3/16	1/4	5/16	3/8	3/8	1/2	1/2	1/2	1/2	5/8	1/2	3/4	5/8	7/8
AK	4.50	4.50	8.50	8.50	8.50	10.50	10.50	12.50	12.50	12.50	12.50	12.50	12.50	16.00	16.00
AJ	5.875	5.875	7.25	7.25	7.25	9.00	9.00	11.00	11.00	11.00	11.00	11.00	11.00	14.00	14.00
BF	3/8-16	3/8-16	1/2-13	1/2-13	1/2-13	1/2-13	1/2-13	5/8-11	5/8-11	5/8-11	5/8-11	5/8-11	5/8-11	5/8-11	5/8-11
HP*	1/4 1/2	1 2	3 5	7.5 10	15 20	25 30	25 30	40 50	40 50	60 75	60 75	100 125	100 125	150 200	150 200

D-Frame Dimensions

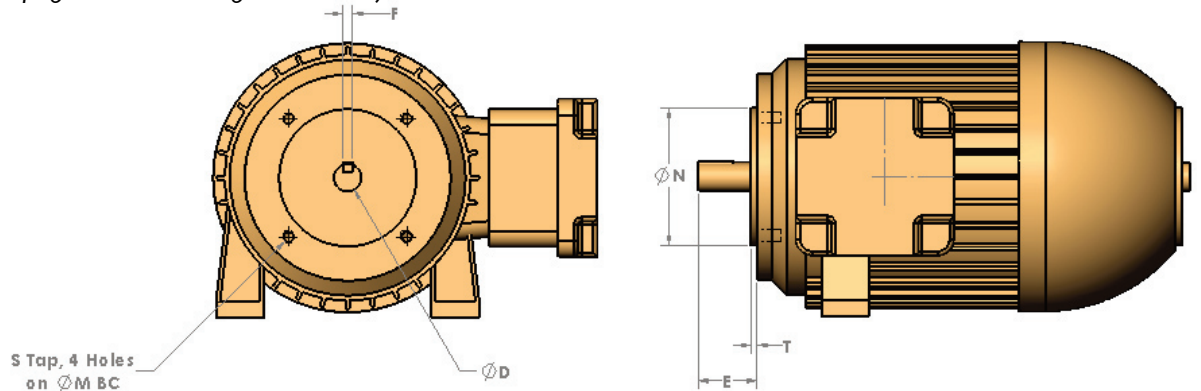
	143TD	182D	182TD	213D	213TD	254UD	254TD	284UD	284TSD	284TD	324USD	324UD	324TSD	324TD	364USD
	145TD	184D	184TD	215D	215TD	256UD	256TD	286UD	286TSD	286TD	326USD	326UD	326TSD	326TD	365USD
AH	2.25	2.25	2.75	3.00	3.38	3.75	4.00	4.88	3.25	4.62	3.25	5.62	3.75	5.25	3.75
U	7/8	7/8	1 1/8	1 1/8	1 3/8	1 3/8	1 5/8	1 5/8	1 5/8	1 7/8	1 5/8	1 7/8	1 7/8	2 1/8	1 7/8
S	3/16	3/16	1/4	1/4	5/16	5/16	3/8	3/8	3/8	1/2	3/8	1/2	1/2	1/2	1/2
AK	9.00	9.00	9.00	9.00	9.00	11.00	11.00	11.00	11.00	11.00	14.00	14.00	14.00	14.00	14.00
AJ	10.00	10.00	10.11	10.00	10.00	12.50	12.50	12.50	12.50	12.50	16.00	16.00	16.00	16.00	16.00
BF	9/16	9/16	9/16	9/16	9/16	53/64	53/64	53/64	53/64	53/64	53/64	53/64	53/64	53/64	53/64
HP*	1 2	1 2	3 5	3 5	7.5 10	7.5 10	15 20	15 20	25 30	25 30	25 30	25 30	25 30	40 50	40 50

	364UD	364TSD	364TD	404USD	404UD	404TSD	404TD	444USD	444UD	444TSD	444TD	447TSD	447TD	504SD	504UD
	365UD	365TSD	365TD	405USD	405UD	405TSD	405TD	445USD	445UD	445TSD	445TD	449TSD	449TD	505SD	505UD
AH	6.38	3.75	5.88	4.25	7.12	4.25	7.25	4.25	6.620	4.75	8.50	4.75	8.50	4.25	8.62
U	2 1/8	1 7/8	2 3/8	2 1/8	2 3/8	2 1/8	2 7/8	2 1/8	2 7/8	2 3/8	3 3/8	2 3/8	3 3/8	2 1/8	2 7/8
S	1/2	1/2	5/8	1/2	5/8	1/2	3/4	1/2	3/4	5/8	7/8	5/8	7/8	1/2	3/4
AK	14.00	14.00	14.00	18.00	18.00	18.00	18.00	18.00	18.00	18.00	18.00	18.00	18.00	18.00	18.00
AJ	16.00	16.00	16.00	20.00	20.00	20.00	20.00	20.00	20.00	20.00	20.00	20.00	20.00	22.00	22.00
BF	53/64	53/64	53/64	53/64	53/64	53/64	53/64	53/64	53/64	53/64	53/64	53/64	53/64	53/64	53/64
HP*	40 50	60 75	60 75	60 75	60 75	100 125	100 125	125 150	125 150	150 200	150 200	150 200	150 200	200 250	200 250

* Horse Power at 1750 RPM

IEC Metric 'C' Flange Motor Dimensions

(see page 37 for FF Flange Dimensions)



Motor Type	Form	IEC	Flange Group	Flange Type	E	D	F	N	M	S	T	HP
BF5 63	30--	F115	095ML	FF	23	11	4	95	115	10	3.0	0.25

Motor Type	Form	IEC	Flange Group	Flange Type	E	D	F	N	M	S	T	HP
BF5 71M42 (2 pole)	30--	F130	110ML	FF	30	14	5	110	130	10	3.5	0.74
BF5 71M42 (2 pole)	36--	F85	070ML	C	30	14	5	70	85	M6	2.5	0.74
BF5 71M44 (4 pole)	30--	F130	110ML	FF	30	14	5	110	130	10	3.5	0.50
BF5 71M44 (4 pole)	36--	F85	070ML	C	30	14	5	70	85	M6	2.5	0.50
BF5 71M46 (6 pole)	30--	F130	110ML	FF	30	14	5	110	130	10	3.5	0.34
BF5 71M46 (6 pole)	36--	F85	070ML	C	30	14	5	70	85	M6	2.5	0.34
BF5 71M48 (8 pole)	30--	F130	110ML	FF	30	14	5	110	130	10	3.5	0.16
BF5 71M48 (8 pole)	36--	F85	070ML	C	30	14	5	70	85	M6	2.5	0.16

Motor Type	Form	IEC	Flange Group	Flange Type	E	D	F	N	M	S	T	HP
BF5 80M42 (2 pole)	30--	F165	130ML	FF	40	19	6	130	165	12	3.5	1.47
BF5 80M42 (2 pole)	36--	F100	080ML	C	40	19	6	80	100	M6	3.0	1.47
BF5 80M44 (4 pole)	30--	F165	130ML	FF	40	19	6	130	165	12	3.5	1.01
BF5 80M 44 (4 pole)	36--	F100	080ML	C	40	19	6	80	100	M6	3.0	1.01
BF5 80M66 (6 pole)	30--	F165	130ML	FF	40	19	6	130	165	12	3.5	0.74
BF5 80M66 (6 pole)	36--	F100	080ML	C	40	19	6	80	100	M6	3.0	0.74
BF5 80M68 (8 pole)	30--	F165	130ML	FF	40	19	6	130	165	12	3.5	0.34
BF5 80M68 (8 pole)	36--	F100	080ML	C	40	19	6	80	100	M6	3.0	0.34

R

Motor Type	Form	IEC	Flange Group	Flange Type	E	D	F	N	M	S	T	HP
BF5 90L42 (2 pole)	30--	F165	130ML	FF	50	24	8	130	165	12	3.5	2.95
BF5 90L42 (2 pole)	36--	F115	095ML	C	50	24	8	95	115	M8	3.0	2.95
BF5 90L44 (4 pole)	30--	F165	130ML	FF	50	24	8	130	165	12	3.5	2.01
BF5 90L44 (4 pole)	36--	F115	095ML	C	50	24	8	95	115	M8	3.0	2.01
BF5 90L66 (6 pole)	30--	F165	130ML	FF	50	24	8	130	165	12	3.5	1.47
BF5 90L66 (6 pole)	36--	F115	095ML	C	50	24	8	95	115	M8	3.0	1.47
BF5 90L68 (8 pole)	30--	F165	130ML	FF	50	24	8	130	165	12	3.5	0.74
BF5 90L68 (8 pole)	36--	F115	095ML	C	50	24	8	95	115	M8	3.0	0.74

Motor Type	Form	IEC	Flange Group	Flange Type	E	D	F	N	M	S	T	HP
BF5 100L42 (2 pole)	30--	F215	180ML	FF	60	26	8	180	215	15	4.0	4.02
BF5 100L42 (2 pole)	36--	F130	110ML	C	60	26	8	110	130	M8	3.5	4.02
BF5 100L44 (4 pole)	30--	F215	180ML	FF	60	26	8	180	215	15	4.0	4.02
BF5 100L44 (4 pole)	36--	F130	110ML	C	60	26	8	110	130	M8	3.5	4.02
BF5 100L46 (6 pole)	30--	F215	180ML	FF	60	26	8	180	215	15	4.0	2.01
BF5 100L46 (6 pole)	36--	F130	110ML	C	60	26	8	110	130	M8	3.5	2.01
BF5 100L48 (8 pole)	30--	F215	180ML	FF	60	26	8	180	215	15	4.0	1.47
BF5 100L48 (8 pole)	36--	F130	110ML	C	60	26	8	110	130	M8	3.5	1.47

Motor Type	Form	IEC	Flange Group	Flange Type	E	D	F	N	M	S	T	HP
BF5 112M22 (2 pole)	30--	F215	180ML	FF	60	28	8	180	215	15	4.0	5.36
BF5 112M22 (2 pole)	36--	F130	110ML	C	60	28	8	110	130	M8	3.5	5.36
BF5 112M44 (4 pole)	30--	F215	180ML	FF	60	28	8	180	215	15	4.0	5.36
BF5 112M44 (4 pole)	36--	F130	110ML	C	60	28	8	110	130	M8	3.5	5.36
BF5 112M46 (6 pole)	30--	F215	180ML	FF	60	28	8	180	215	15	4.0	2.95
BF5 112M46 (6 pole)	36--	F130	110ML	C	60	28	8	110	130	M8	3.5	2.95
BF5 112M48 (8 pole)	30--	F215	180ML	FF	60	28	8	180	215	15	4.0	2.01
BF5 112M48 (8 pole)	36--	F130	110ML	C	60	28	8	110	130	M8	3.5	2.01

Motor Type	Form	IEC	Flange Group	Flange Type	E	D	F	N	M	S	T	HP
BF5 132S62 (2 pole)	30--	F265	230ML	FF	80	38	10	230	265	15	4.0	10.05
BF5 132S62 (2 pole)	36--	F165	130ML	C	80	38	10	130	165	M10	3.5	10.05
BF5 132M84 (4 pole)	30--	F265	230ML	FF	80	38	10	230	265	15	4.0	10.05
BF5 132M84 (4 pole)	36--	F165	130ML	C	80	38	10	130	165	M10	3.5	10.05
BF5 132M46 (6 pole)	30--	F265	230ML	FF	80	38	10	230	265	15	4.0	5.36
BF5 132M46 (6 pole)	36--	F165	130ML	C	80	38	10	130	165	M10	3.5	5.36
BF5 132M88 (8 pole)	30--	F265	230ML	FF	80	38	10	230	265	15	4.0	4.02
BF5 132M88 (8 pole)	36--	F165	130ML	C	80	38	10	130	165	M10	3.5	4.02

R

Motor Type	Form	IEC	Flange Group	Flange Type	E	D	F	N	M	S	T	HP
BF5 160M42 (2 pole)	30--	F300	250ML	FF	110	42	12	250	300	19	5.0	20.11
BF5 160L64 (4 pole)	30--	F300	250ML	FF	110	42	12	250	300	19	5.0	20.11
BF5 160L66 (6 pole)	30--	F300	250ML	FF	110	42	12	250	300	19	5.0	14.75
BF5 160M48 (8 pole)	30--	F300	250ML	FF	110	42	12	250	300	19	5.0	7.37

Motor Type	Form	IEC	Flange Group	Flange Type	E	D	F	N	M	S	T	HP
BF5 180M42 (2 pole)	30--	F300	250ML	FF	110	48	14	250	300	19	5.0	29.49
BF5 180L64 (4 pole)	30--	F300	250ML	FF	110	48	14	250	300	19	5.0	29.49
BF5 180L46 (6 pole)	30--	F300	250ML	FF	110	48	14	250	300	19	5.0	20.11
BF5 180L48 (8 pole)	30--	F300	250ML	FF	110	48	14	250	300	19	5.0	14.75

Motor Type	Form	IEC	Flange Group	Flange Type	E	D	F	N	M	S	T	HP
BF5 200L82 (2 pole)	30--	F350	300ML	FF	110	55	16	300	350	19	5.0	49.6
BF5 200L64 (4 pole)	30--	F350	300ML	FF	110	55	16	300	350	19	5.0	49.6
BF5 200L46 (6 pole)	30--	F350	300ML	FF	110	55	16	300	350	19	5.0	29.49
BF5 200L48 (8 pole)	30--	F350	300ML	FF	110	55	16	300	350	19	5.0	20.11

R

Motor Type	Form	IEC	Flange Group	Flange Type	E	D	F	N	M	S	T	HP
BF5 225M42 (2 pole)	30--	F400	350ML	FF	110	55	16	350	400	19	5.0	60.32
BF5 225M44 (4 pole)	30--	F400	350ML	FF	110	55	16	350	400	19	5.0	60.32
BF5 225M46 (6 pole)	30--	F400	350ML	FF	110	55	16	350	400	19	5.0	40.21
BF5 225M48 (8 pole)	30--	F400	350ML	FF	110	55	16	350	400	19	5.0	29.49

Motor Type	Form	IEC	Flange Group	Flange Type	E	D	F	N	M	S	T	HP
BF4 250M42 (2 pole)	30--	F500	450ML	FF	140	60	18	450	500	19	5.0	73.73
BF4 250M44 (4 pole)	30--	F500	450ML	FF	140	65	18	450	500	19	5.0	73.73
BF4 250M26 (6 pole)	30--	F500	450ML	FF	140	65	18	450	500	19	5.0	49.60
BF4 250M48 (8 pole)	30--	F500	450ML	FF	140	65	18	450	500	19	5.0	40.21

Motor Type	Form	IEC	Flange Group	Flange Type	E	D	F	N	M	S	T	HP
BF4 280MA62 (2 pole)	30--	F500	450ML	FF	140	65	18	450	500	19	5.0	120.64
BF4 280MA84 (4 pole)	30--	F500	450ML	FF	140	75	20	450	500	19	5.0	120.64
BF4 280MA46 (6 pole)	30--	F500	450ML	FF	140	75	20	450	500	19	5.0	73.73
BF4 280MA68 (8 pole)	30--	F500	450ML	FF	140	75	20	450	500	19	5.0	60.32

Motor Type	Form	IEC	Flange Group	Flange Type	E	D	F	N	M	S	T	HP
BF4 315MA62 (2 pole)	30--	F600	550ML	FF	140	65	18	550	600	24	6.0	176.94
BF4 315MA64 (4 pole)	30--	F600	550ML	FF	170	80	22	550	600	24	6.0	176.94
BF4 315MA66 (6 pole)	30--	F600	550ML	FF	170	80	22	550	600	24	6.0	120.64
BF4 315MA68 (8 pole)	30--	F600	550ML	FF	170	80	22	550	600	24	6.0	100.54

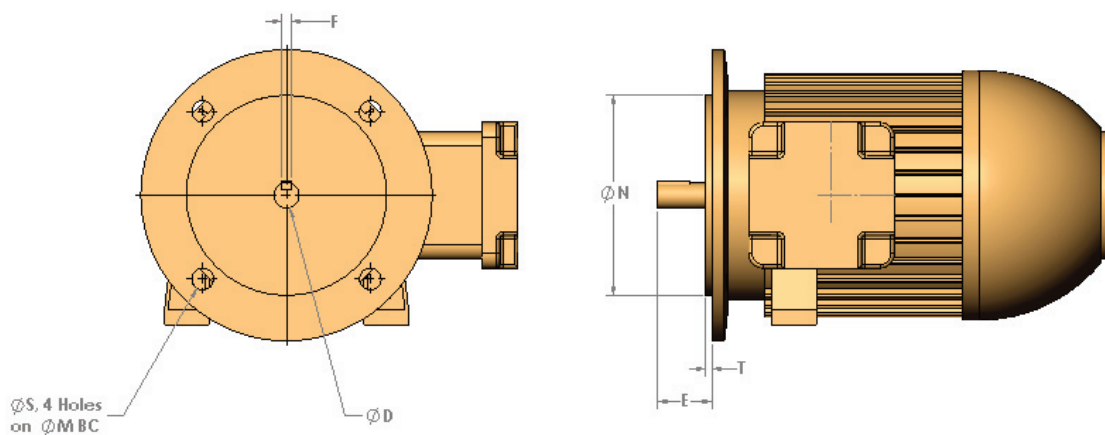
Motor Type	Form	IEC	Flange Group	Flange Type	E	D	F	N	M	S	T	HP
BF3 315MA82 (2 pole)	30--	F600	550ML	FF	140	70	20	550	600	24	6.0	268.10
BF3 315MA84 (4 pole)	30--	F600	550ML	FF	170	90	25	550	600	24	6.0	268.10
BF3 315MA86 (6 pole)	30--	F600	550ML	FF	170	90	25	550	600	24	6.0	176.94
BF3 315MA88 (8 pole)	30--	F600	550ML	FF	170	90	2	550	600	24	6.0	147.45

Motor Type	Form	IEC	Flange Group	Flange Type	E	D	F	N	M	S	T	HP
B14 63A	36--	F75	060ML	C	23	11	4	60	75	M5	2.5	0.25
B14 63B	36--	F100	080ML	C	23	11	4	80	100	M6	2.5	0.74
B14 71A	36--	F85	070ML	C	30	14	5	70	85	M6	2.5	0.34
B14 71B	36--	F115	095ML	C	30	14	5	95	115	M8	3.0	1.48
B14 80A	36--	F100	080ML	C	40	19	6	80	100	M8	3.0	0.74
B14 80 B	36--	F130	110ML	C	40	19	6	110	130	M8	3.5	2.68
B14 90S/L A	36--	F115	095ML	C	50	24	8	95	115	M8	3.0	1.48
B14 90S/L B	36--	F130	110ML	C	50	24	8	110	130	M8	3.5	2.68
B14 100L A	36--	F130	110ML	C	60	28	8	110	130	M8	3.5	2.68
B14 100L B	36--	F165	130ML	C	60	28	8	130	165	M10	3.5	6.71
B14 112M A	36--	F130	110ML	C	60	28	8	110	130	M8	3.5	2.68
B14 112M B	36--	F165	130ML	C	60	28	8	130	165	M10	3.5	6.71
B14 132S/M A	36--	F165	130ML	C	80	38	10	130	165	M10	3.5	6.71
B14 160M/L A	36--	F215	180ML	C	110	42	12	180	215	M12	4.0	7.50

R

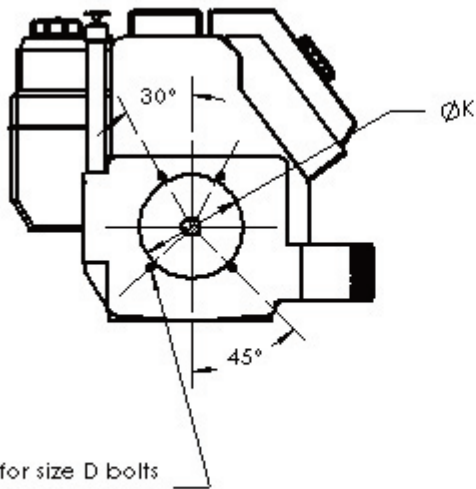
IEC Metric 'FF' Flange Motor Dimensions

(see page 33 for C Flange Dimensions)

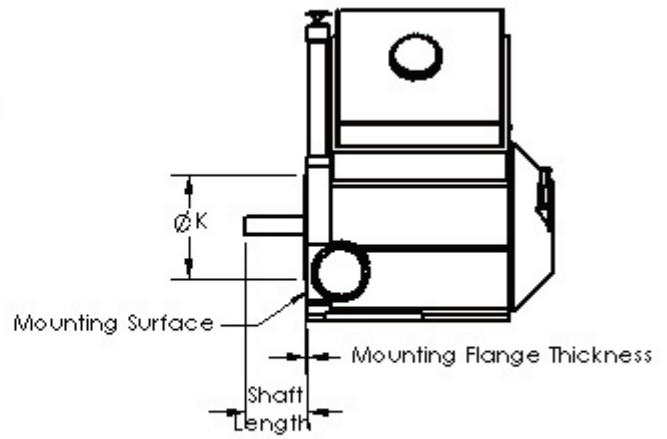


I/C Engine Dimensions

R



Drill & Tap for size D bolts
on ØJ B.C., 4 holes



	K	J	D
E575	5.75	6.50	3/8-16
E644	6.437	7.75	7/16-14
E700	7.00	7.75	7/16-14
E787	7.875	9.25	7/16-14
Engine Size Group	Pilot Dia.	Flange Dimensions	

Make the Connection with **magnaloy**

Whatever your Fluid Power Unit needs,
Magnaloy has the products
to keep you connected.



Flexible Drive Couplings

Top-of-the-line magnesium couplings are lighter, yet stronger than either cast iron or aluminum. They also offer better corrosion resistance and easier handling.



Magnaloy Hydraulic Bar Manifolds & Accessories

Complete line of inline Bar Manifolds, Subplates, Cover Plates, Valve Adaptors, Integrated Circuit Manifolds, and Accessories to make the design and fabrication of Hydraulic Circuitry simple and easy. Wide range of sizes include: D03, D05, D05H & D08 in aluminum and steel with ports available in SAE, NPTF, BSPP, and BSPT styles. Custom design and fabrication also available, consult factory.

Accessories

Filler Breather Adaptors, Filler Breathers, Reservoir Flanges, Suction Strainers, Gauge Isolators, Liquid Level Gauges, Modular O-Ring Kits.



Pump/Motor Mounts

Precision machined aluminum & custom steel pump/motor mounts directly connect the motor and pump while ensuring accurate shaft alignment and enclosing the coupling. Vertical and horizontal models readily available from stock.



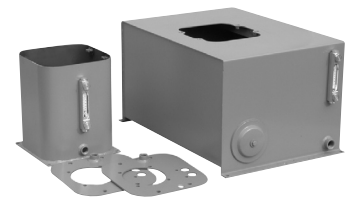
Rod End Couplers

Two models of accurately machined high tensile cylinder rod end alignment couplers offer 7° or 10° spherical and 1/8" parallel misalignment capabilities.



PM 90 Couplings

Economical PM-90 Iron Powder Couplings have long lasting nitrile, hytrel or urethane inserts. Double set screws give excellent gripping power.



Magnaloy Reservoirs & Reservoir Accessories

Magnaloy offers a complete line of standard reservoirs and reservoir accessories. In addition, we offer custom reservoir fabrication to meet our customer specific needs. Reservoir accessories such as Clean Out Covers and SAE Couplings are available for the "do-it-yourself" reservoir manufacturer.



Magnaloy Pressure Switch

Pressure Sensing switch capable of sensing up to three (3) separate pressures. Each sensor is externally independently adjustable from 200 to 4000 psi. Viton seals provide wide fluid compatibility range.