

magnaloy

Hydraulic Reservoirs Catalog

Connecting Fluid Power for over 60 Years



NOTE: Due to Magnaloy's policy of continuous improvement, specifications are subject to change without notice.

* Check with the factory or our Web Site at www.magnaloy.com for the latest information.

Magnaloy

• 170 N Industrial Hwy. Alpena, MI 49707

• 989 356-2186

www.magnaloy.com

A Division of Douville Johnston Corporation

Catalog No. 2024.3.18 © 2024 Magnaloy

C

RESERVOIRS - SECTION 4

General Information2
Vertical Reservoirs3
Dual Vertical Reservoirs9
JIC Reservoirs14
L Shaped Reservoirs16
T Shaped Reservoirs20
Horizontal Reservoirs22
DIN Style Reservoirs24
Drip Pans28
Stacking Modules29
End Covers30
REFERENCE MATERIAL INDEX192

Check out our **Product Configurator Program**

<https://configurator.magnaloy.com>

THIS PAGE LEFT BLANK INTENTIONALLY

Quality

Every Magnaloy reservoir is leak tested using a dye penetrant, ensuring the integrity of each and every weld. In addition, every sharp edge and corner is deburred to help eliminate the risk of dangerous and costly injuries to assembly personnel. To insure a leakproof assembly, Magnaloy utilizes NPT Tapered Thread Fittings and Plugs for all Reservoir Drains.

Please Note: We do NOT leak test any welds on the top of our reservoirs. If you need a positive leak free top, please consult the factory.

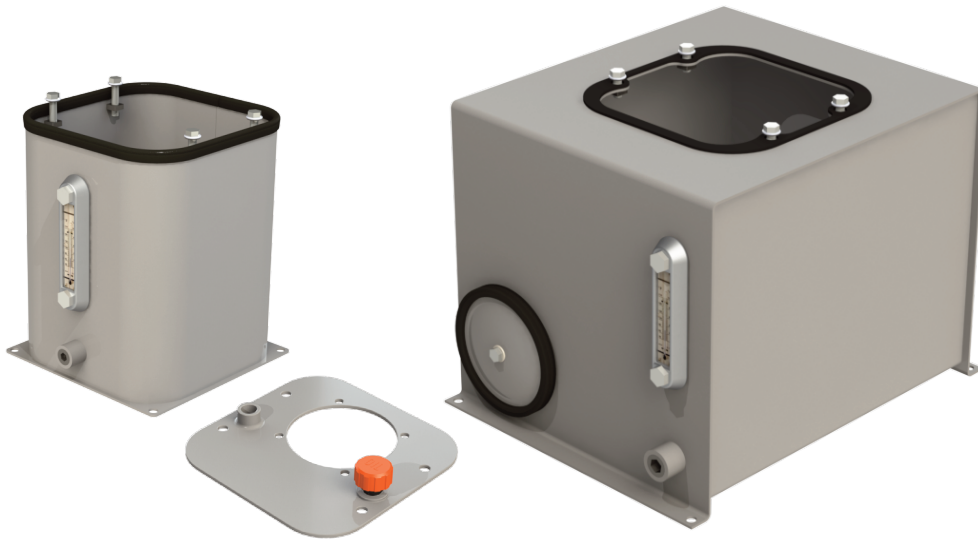
4

Custom

Whether a standard reservoir form our catalog, a hand sketch or DIN style, Magnaloy welcomes the opportunity to create a reservoir that will satisfy your application requirements. We specialize in pre-cut holes and/or special prepping of reservoirs reducing costly labor assembly time.

Value

Our prices are competitive with all manufacturers of quality reservoirs. Magnaloy reservoirs arrive clean and ready to assemble. No costly labor required for cleanup. Other value added features include “one stop shopping” resulting in savings from fewer issued checks, purchase orders, correspondence and single source follow-up.



The Magnaloy Tradition Continues

In the early planning stages of our reservoir line, a customer exclaimed, when learning of our new product, “if magnaloy is putting their name on it, that’s good enough for me.” Where other manufacturers dabble in expanding their product line, we take every new product very serious and ensure the magnaloy tradition of quality, value and support continues.

Other Magnaloy Reservoir Necessities

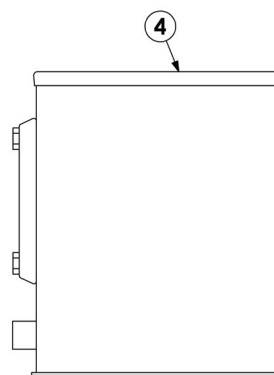
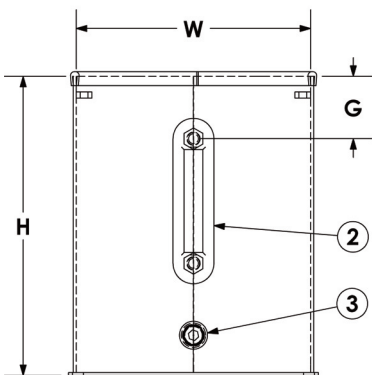
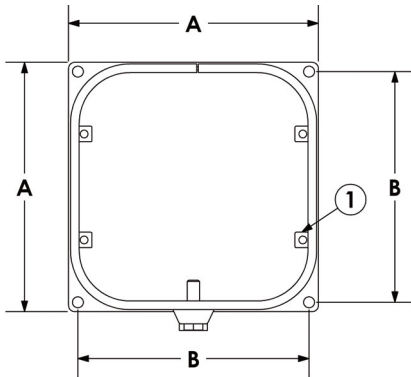
Magnaloy offers a full line of Accessory Products for your reservoir. These include Filler Breather Caps, Adapters, Mounting Flanges, Screens, Suction Strainers, Spin-on and Tank Top Filters, Liquid Level Gauges and other products. See Magnaloy’s complete line of accessory items in our Accessory Products Catalog or visit us at www.magnaloy.com.

Vertical ECONO Reservoirs



Magnaloy Coupling Company's line of reservoirs begins with the Econo Series. These reservoirs are available in 2, 3, 5, 8, 10, 14, 20 and 25 gallon capacities. Each reservoir includes our Sight Level Gauge w/Temperature Readout, NPT Tank Drain, cutout and tapped holes for Reservoir Cover Plate (ordered separately), 6" Steel End Cover (on 8 gallon and larger), Primer Coated Exterior and Rust Inhibitor Coated Interior. All edges are deburred for safe handling.

RVP02, RVP03 and RVP05 Econo Reservoirs:



Features:

- 1 - 3/8-16 Cover Mounting Nuts
 - 2 - Magnaloy Sight Level Gauge w/temp *
 - 3 - 1/2" NPT Drain
 - 4 - Neoprene Gasket for Cover Plate Seal **
- Primer Coated Exterior
Rust Inhibitor Coated Interior

* Sight Level Gauge:

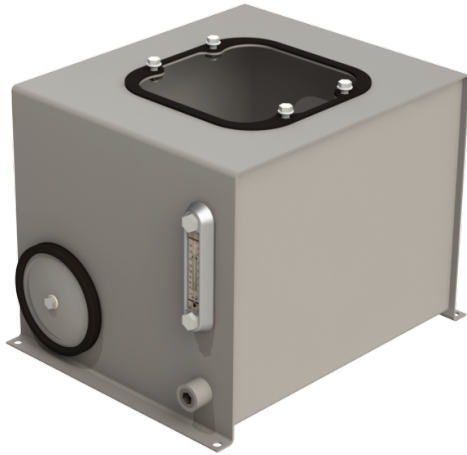
- 2 gallon - 3" Gauge (SLLG-03T-C)
- 3 & 5 gallon - 5" Gauge (SLLG-05T-C)

** Cover Plate is ordered as a separate item, see page 6 for specifications

Part Number	A	B	G	H	W
RVP02	10.50	9.25	1.13	8.00	9.38
RVP03	10.50	9.25	2.50	12.00	9.38
RVP05	10.50	9.25	1.50	16.00	9.38

NOTE: Due to Magnaloy's policy of continuous improvement, specifications are subject to change without notice.

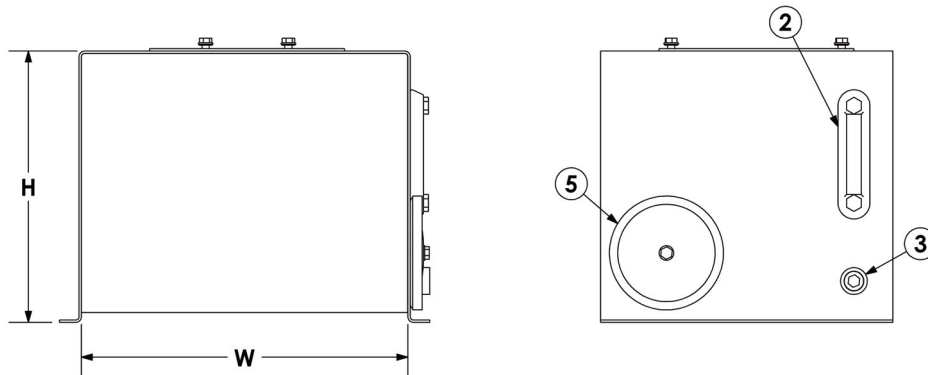
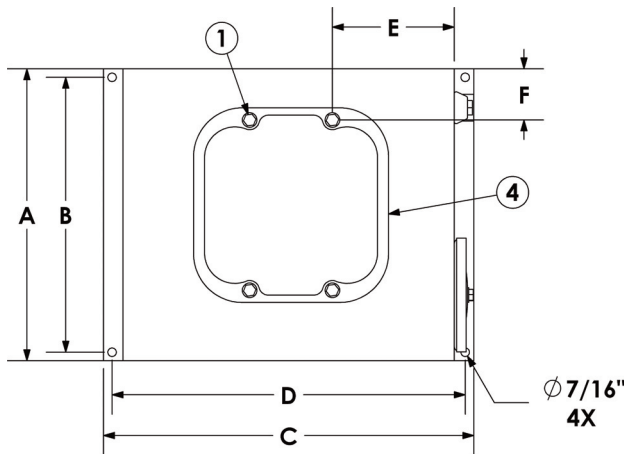
RVP08, RVP10 and RVP14 Econo Reservoirs:



Features:

- 1 - 3/8-16 Cover Mounting Nuts
 - 2 - Magnaloy 5" Sight Level Gauge w/temp (SLLG-05T-C)
 - 3 - 3/4" NPT Drain
 - 4 - Neoprene Gasket for Cover Plate Seal *
 - 5 - 6" Steel Clean-out Cover (REC06)
- Primer Coated Exterior
Rust Inhibitor Coated Interior

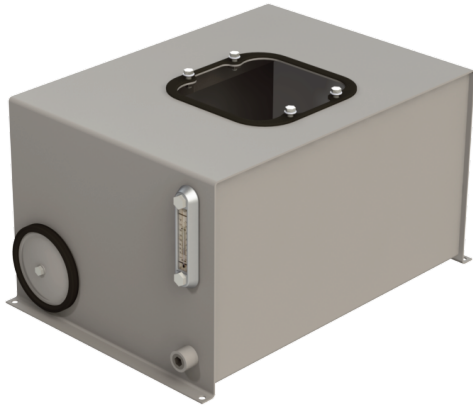
* Cover Plate is ordered as a separate item, see page 6 for specifications



Part Number	A	B	C	D	E	F	G	H	W
RVP08	12.00	11.13	14.25	13.38	5.06	1.63	3.13	18.13	12.00
RVP10	15.00	14.13	19.00	18.13	6.25	2.63	2.81	13.94	16.75
RVP14	12.00	11.13	20.25	19.38	6.88	1.63	2.88	20.13	18.00

DISCLAIMER: Due to Magnaloy's policy of continuous improvement, specifications are subject to change without notice.

RVP20 and RVP25 Econo Reservoirs:



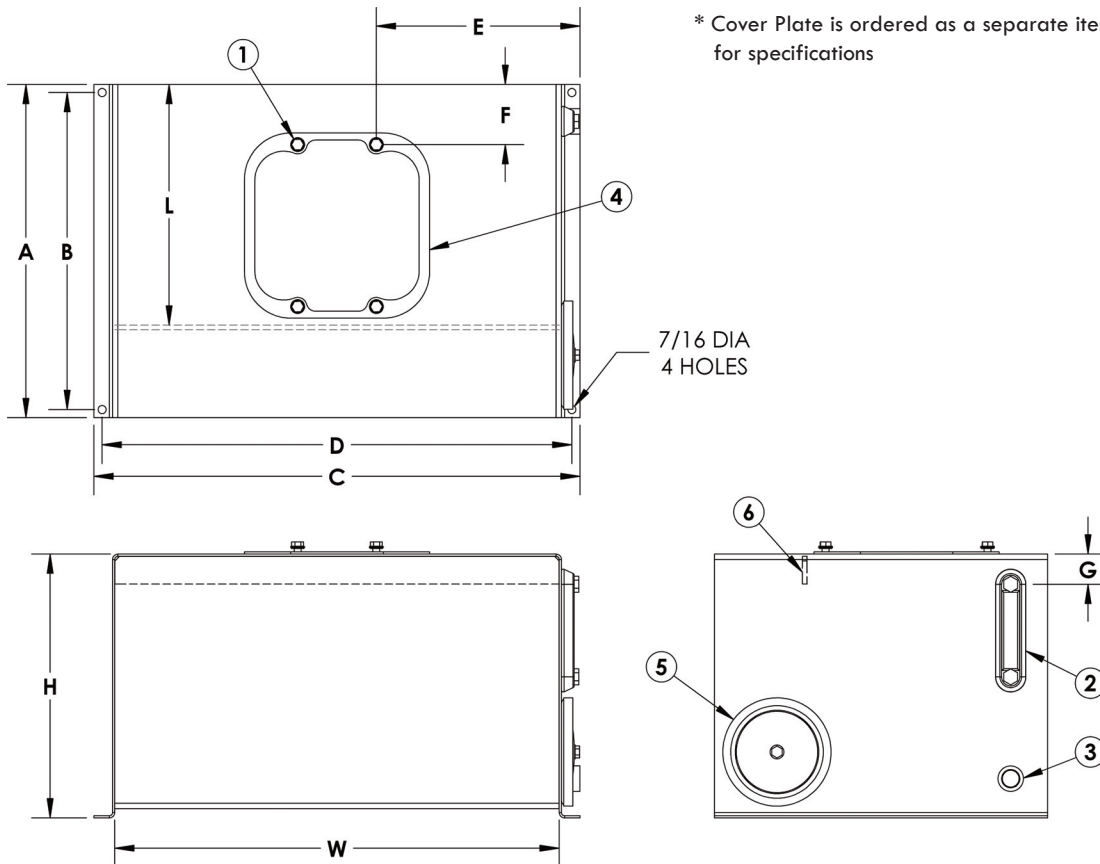
Features:

- 1 - 3/8-16 Cover Mounting Nuts
- 2 - Magnaloy 5" Sight Level Gauge w/temp (SLLG-05T-C)
- 3 - 3/4" NPT Drain
- 4 - Neoprene Gasket for Cover Plate Seal *
- 5 - 6" Steel Clean-out Cover (REC06)
- 6 - Tank Top Stiffener for rigidity and noise reduction

Primer Coated Exterior

Rust Inhibitor Coated Interior

* Cover Plate is ordered as a separate item, see page 6 for specifications



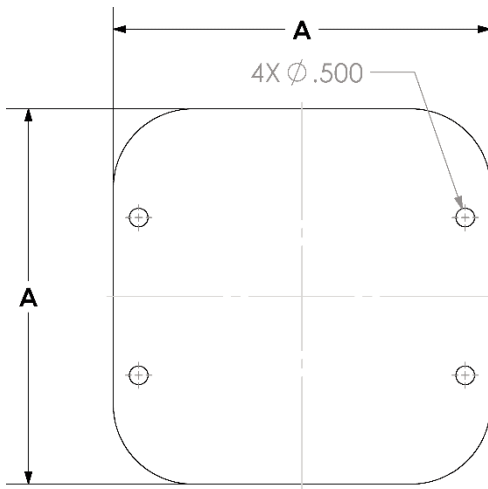
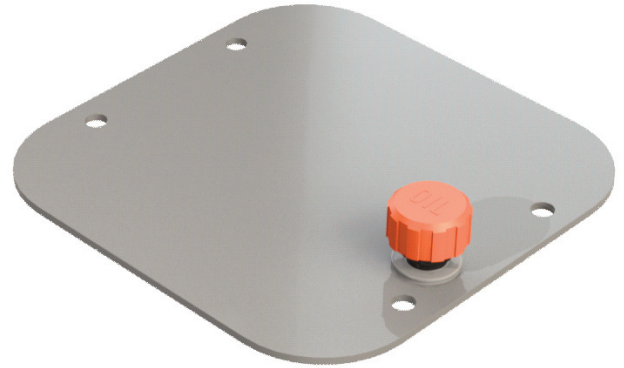
Part Number	A	B	C	D	E	F	G	H	L	W
RVP20	18.00	17.13	26.25	25.38	10	3.25	1.63	14.25	13.00	24.00
RVP25	18.00	17.13	26.25	25.38	10	3	5.63	18.13	12.25	24.00

DISCLAIMER: Due to Magnaloy's policy of continuous improvement, specifications are subject to change without notice.

RVPT-1, RVPT-2 Cover Plates:

Magnaloy offer 4 choices of Cover Plates for the Econo Series of Reservoirs to meet your specific requirements. Each Cover Plate will fit any of the Econo Reservoirs. All Cover Plates are formed from 7 gauge sheet metal.

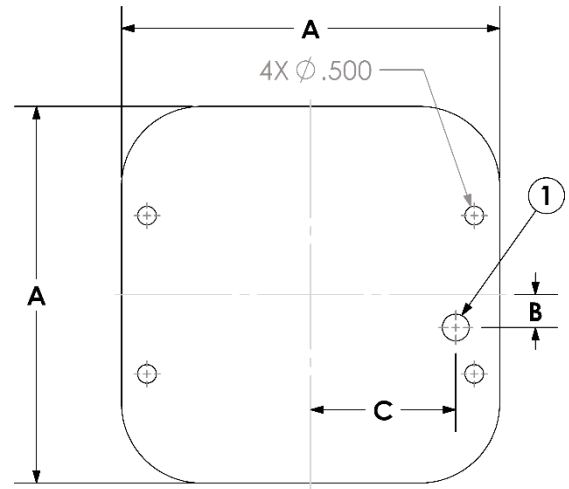
4



RVPT-1

Includes:

- 1) Blank Cover



RVPT-2

Includes:

- 1) Filler Breather Cutout(1/2" NPT)
- 2) Mini Filler Breather FB-C-MB-P008

Part Number	A	B	C	D
RVPT-1	10.11	N/A	N/A	N/A
RVPT-2	10.11	.88	3.88	N/A

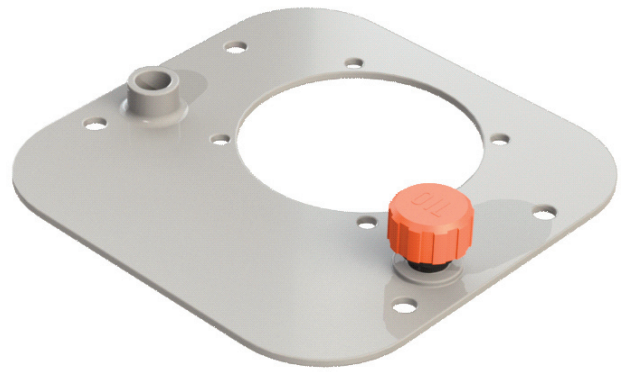
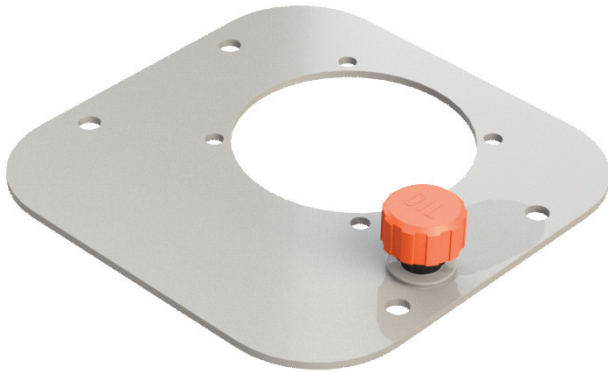
NOTE: Reservoirs and Cover Plates are ordered separately. Order by the specific part number for the Reservoir and Cover Plate.

DISCLAIMER: Due to Magnaloy's policy of continuous improvement, specifications are subject to change without notice.

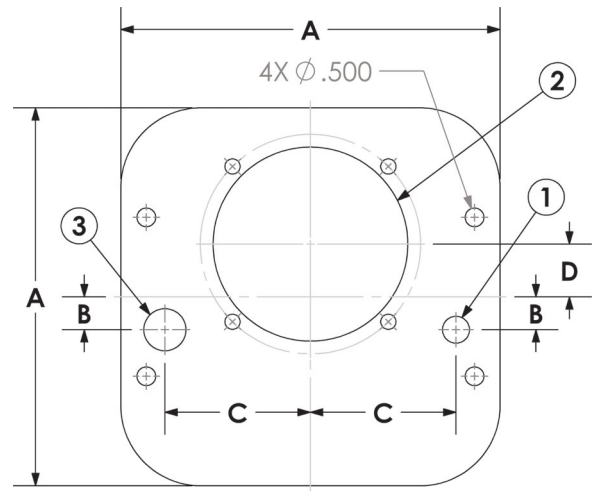
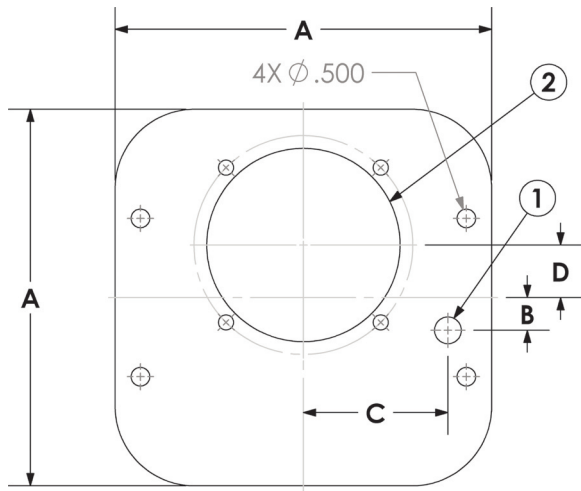
Vertical ECONO Reservoirs

RVPT-3, RVPT-4 Cover Plates:

Magnaloy offer 4 choices of Cover Plates for the Econo Series of Reservoirs to meet your specific requirements. Each Cover Plate will fit any of the Econo Reservoirs. All Cover Plates are formed from 7 gauge sheet metal.



4



RVPT-3

Includes:

- 1) Filler Breather Cutout(1/2" NPT)
- 2) 056C Mount Cutout
- 3) Mini Filler Breather FB-C-MB-P008

RVPT-4

Includes:

- 1) Filler Breather Cutout(1/2" NPT)
- 2) 056C Mount Cutout
- 3) 1/2" NPT Connector
- 4) Mini Filler Breather FB-C-MB-P008

Part Number	A	B	C	D
RVPT-3	10.11	.88	3.88	1.41
RVPT-4	10.11	.88	3.88	1.41

NOTE: Reservoirs and Cover Plates are ordered separately. Order by the specific part number for the Reservoir and Cover Plate.

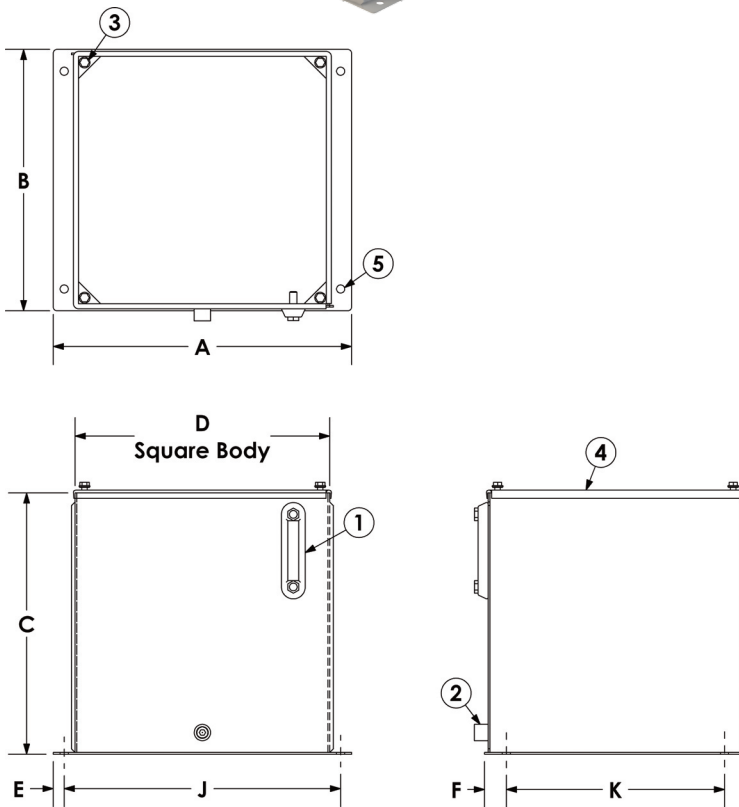
DISCLAIMER: Due to Magnaloy's policy of continuous improvement, specifications are subject to change without notice.

RVSxx-x Series Reservoirs:



Size	Body Form	Bottom Form
5 gal	11 ga	11 ga
10 gal	11 ga	11 ga
20 gal	11 ga	11 ga
30 gal	11 ga	11 ga
40 gal	11 ga	11 ga

4



Includes:

- 1 - Sight Level Gauge (front mount) (SLLG-05T-C)
 - 2 - 1/2" NPT Tank Drain
 - 3 - (4) 3/8-16 Threaded Gussets for Cover Mounting Bolts
 - 4 - "U" Gasket for Top Seal
 - 5 - 9/16" Dia. Holes on Bottom Flange for Tank Mounting
- Choice of Top - ordered separately, see page 10
- Primer Coated Exterior
- Rust Inhibitor Coated Interior

Part Number	Series	Capacity Gallons	Reservoir Dimensions (Inches)							
			A	B	C	D	E	F	J	K
RVS05-1	1	5	14.5	12.5	10	12	0.5	1.25	13.5	10
RVS10A-1	1	10	14.5	12.5	19.69	12	0.5	1.25	13.5	10
RVS10B-2	2	10	19	16.5	11.75	16	0.75	1.25	17.5	14
RVS10-2	2	10	19	16.5	15	16	0.75	1.25	17.5	14
RVS20-2	2	20	19	16.5	23.69	16	0.75	1.25	17.5	14
RVS20-3	3	20	20.5	18	18	17.5	0.75	1.5	19	15
RVS30-2	2	30	19	16.5	35.69	16	0.75	1.25	17.5	14
RVS30-3	3	30	20.5	18	26	17.5	0.75	1.5	19	15
RVS40-3	3	40	20.5	18	34	17.5	0.75	1.5	19	15

DISCLAIMER: Due to Magnaloy's policy of continuous improvement, specifications are subject to change without notice.

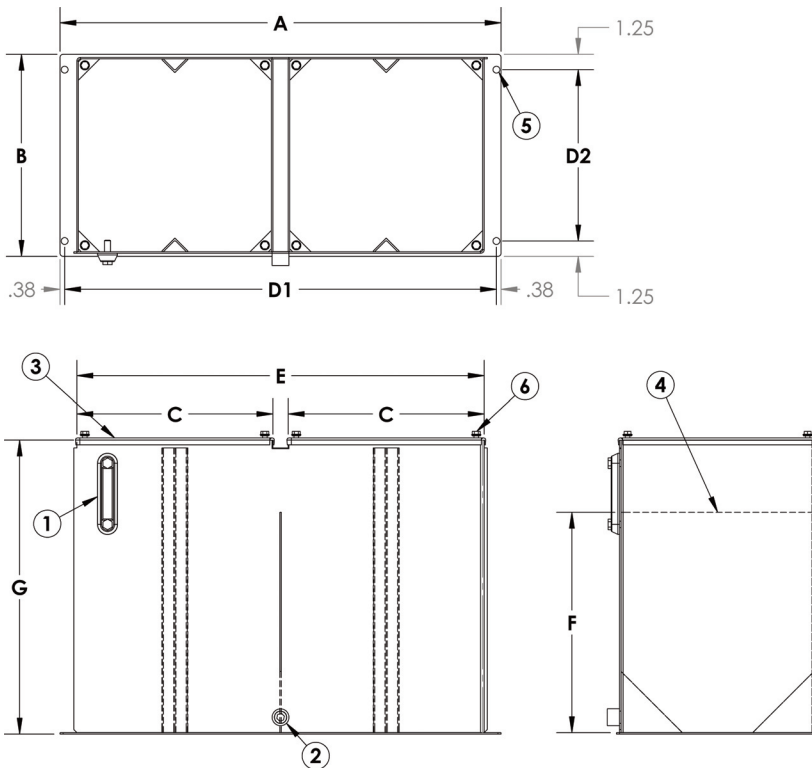
Vertical Series Reservoirs



Dual Vertical Reservoirs:



Size	Body Form	Bottom Form
Series 2		
40 gal	11 ga	11 ga
60 gal	11 ga	11 ga
Series 3		
50 gal	11 ga	11 ga
60 gal	11 ga	11 ga



Includes:

- 1 - Sight Level Gauge (front mount) (SLLG-05T-C)
 - 2 - 3/4 NPT Drain
 - 3 - "U" Gaskets for Cover Plates
 - 4 - Baffle with Cutouts for Circulation
 - 5 - 9/16 Dia. Holes (4) on Bottom Flange for Tank Mounting
 - 6 - 3/8-16 Bolts (8) for Cover Tie Down
- Choice of Tops - ordered separately (2 tops required per reservoir)(not shown), see page 10
- Prime Coated Exterior
Rust Inhibitor Coated Interior

Dual Vertical Reservoirs- Series 2 (order Series 2 Tops)

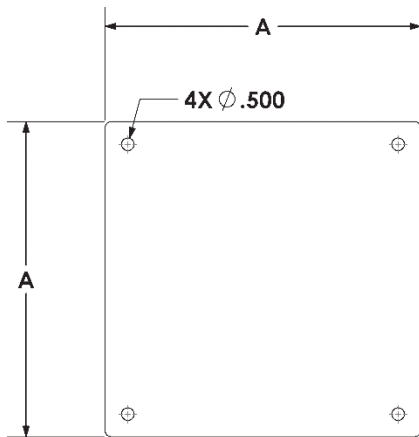
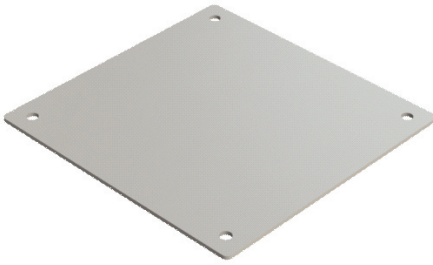
PART NO.	SIZE.	A	B	C	D1	D2	E	F	G
RDVS40-2	40 Gallon	36	16.5	16	35.25	14	33	18	24
RDVS60-2	60 Gallon	36	16.5	16	35.25	14	33	24	36

Dual Vertical Reservoirs- Series 3 (order Series 3 Tops)

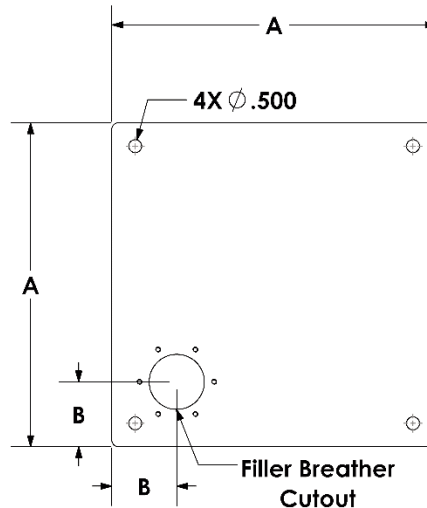
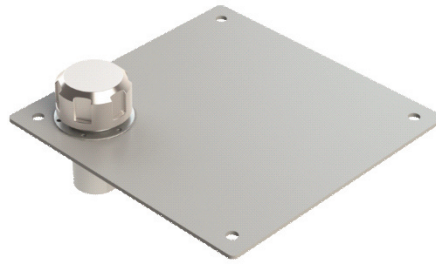
PART NO.	SIZE	A	B	C	D1	D2	E	F	G
RDVS50-3	50 Gallon	39	18	17.5	38.25	15.5	36	19	22.5
RDVS60-3	60 Gallon	39	18	17.5	38.25	15.5	36	22.5	26.5

RVS & Dual Vertical Series Reservoir Tops (Series 1):

4

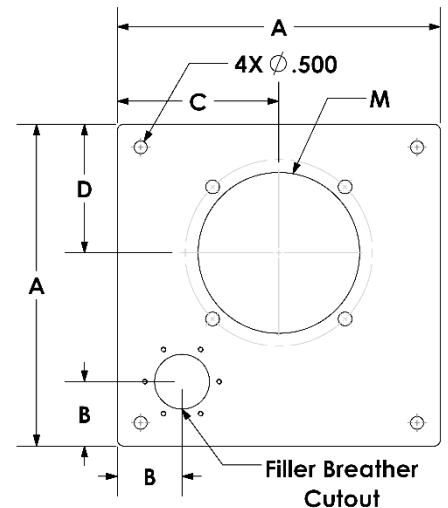
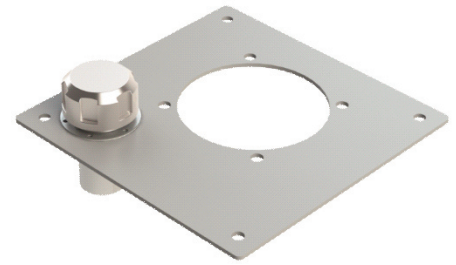


Part Number:
RVS1-T-1



Includes Filler Breather
P/N FB-H008W

Part Number:
RVS1-T-2



Includes Filler Breather
P/N FB-H008W

Example Part Number:
RVS1-T-3/A
RVS1-T-3/B
RVS1-T-4/C

** See Magnaloy's Pump/Motor Mounts, (page 18 in Complete Catalog) for more details

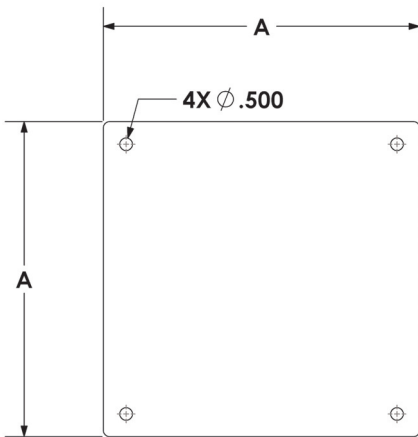
Vertical Reservoir Top	Fits Reservoir Series	Reservoir Top Dimensions (Inches)				Pump/Motor Cutout (Inches)			
		A	B	C	D	M Dia	M Hole Dia	M B.H.C.	Adapter Size
RVS1-T-1	1	12.5	-	-	-	-	-	-	-
RVS1-T-2	1	12.5	2.5	-	-	-	-	-	-
RVS1-T-3/A	1	12.5	2.5	6.25	5	5.19	7/16	5.88	056 option A
RVS1-T-3/B	1	12.5	2.5	6.25	5	5.00	7/16	5.88	056 option B
RVS1-T-4/C	1	12.5	2.5	6.25	5	6.25	17/32	7.25	182 option A

DISCLAIMER: Due to Magnaloy's policy of continuous improvement, specifications are subject to change without notice.

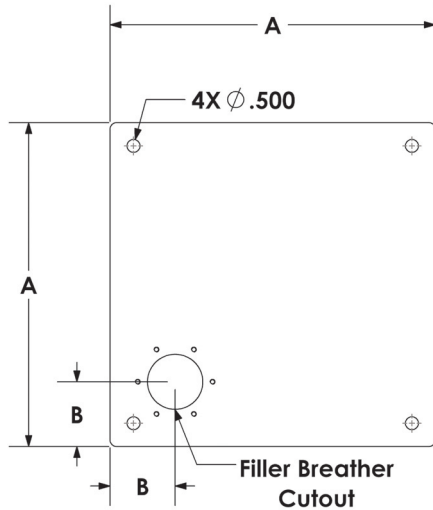
Vertical Series Reservoirs



RVS & Dual Vertical Series Reservoir Tops (Series 2):

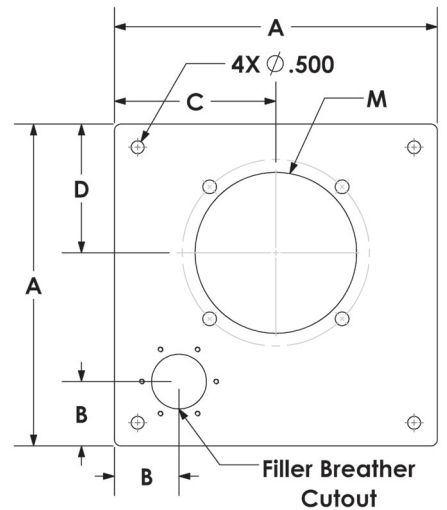
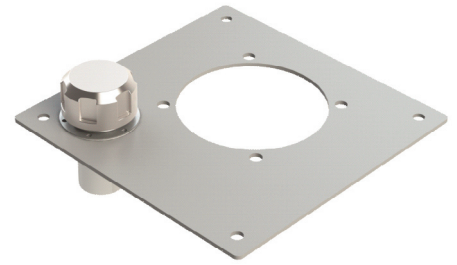


Part Number:
RVS2-T-1



Includes Filler Breather
P/N FB-H008W

Part Number:
RVS2-T-2



Includes Filler Breather
P/N FB-H008W

Example Part Number:
RVS2-T-3/A
RVS2-T-3/B
RVS2-T-4/C
RVS2-T-4/D

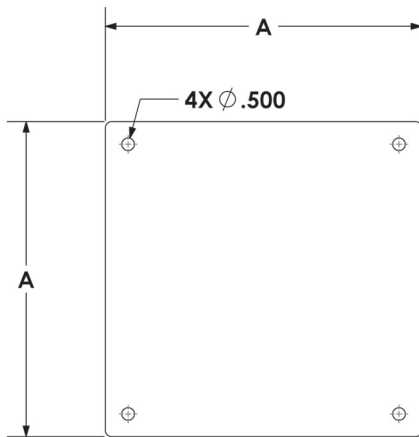
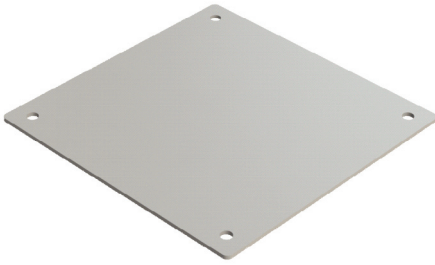
** See Magnaloy's Pump/Motor Mounts, (page 18 in Complete Catalog) for more details

Vertical Reservoir Top	Fits Reservoir Series	Reservoir Top Dimensions (Inches)				Pump/Motor Cutout (Inches)			
		A	B	C	D	M Dia	M Hole Dia	M B.H.C.	Adapter Size
RVS2-T-1	2	16.5	-	-	-	-	-	-	-
RVS2-T-2	2	16.5	2.5	-	-	-	-	-	-
RVS2-T-3/A	2	16.5	2.5	8.25	5.5	5.19	7/16	5.88	056 option A
RVS2-T-3/B	2	16.5	2.5	8.25	5.5	5.00	7/16	5.88	056 option B
RVS2-T-4/C	2	16.5	2.5	8.25	6.25	6.25	17/32	7.25	182 option A
RVS2-T-4/D	2	16.5	2.5	8.25	6.25	9.13	17/32	10.25	182 option B

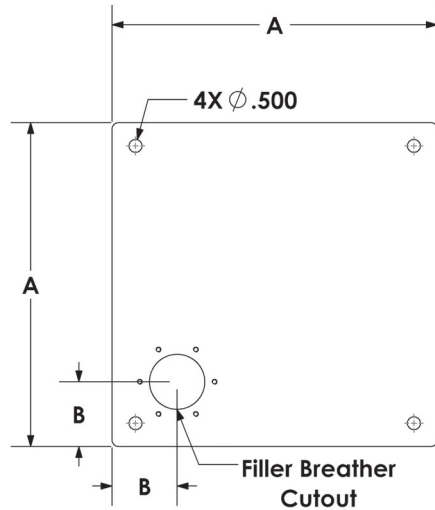
DISCLAIMER: Due to Magnaloy's policy of continuous improvement, specifications are subject to change without notice.

RVS & Dual Vertical Series Reservoir Tops (Series 3):

4

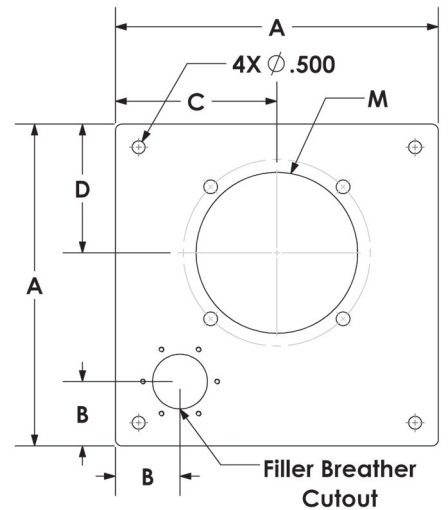
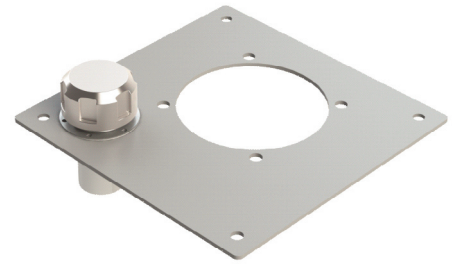


Part Number:
RVS3-T-1



Includes Filler Breather
P/N FB-H008W

Part Number:
RVS3-T-2



Includes Filler Breather
P/N FB-H008W

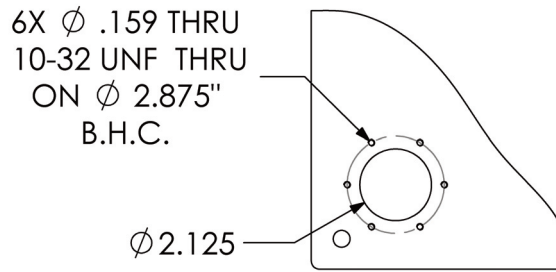
Example Part Number:
RVS3-T-3/A
RVS3-T-3/B
RVS3-T-4/C
RVS3-T-4/D

** See Magnaloy's Pump/Motor Mounts, (page 18 in Complete Catalog) for more details

Vertical Reservoir Top	Fits Reservoir Series	Reservoir Top Dimensions (Inches)				Pump/Motor Cutout (Inches)			
		A	B	C	D	M Dia	M Hole Dia	M B.H.C.	Adapter Size
RVS3-T-1	3	18	-	-	-	-	-	-	-
RVS3-T-2	3	18	2.5	-	-	-	-	-	-
RVS3-T-3/A	3	18	2.5	9	5.5	5.19	7/16	5.88	056 option A
RVS3-T-3/B	3	18	2.5	9	5.5	5.00	7/16	5.88	056 option B
RVS3-T-4/C	3	18	2.5	9	6.25	6.25	17/32	7.25	182 option A
RVS3-T-4/D	3	18	2.5	9	6.25	9.13	17/32	10.25	182 option B

DISCLAIMER: Due to Magnaloy's policy of continuous improvement, specifications are subject to change without notice.

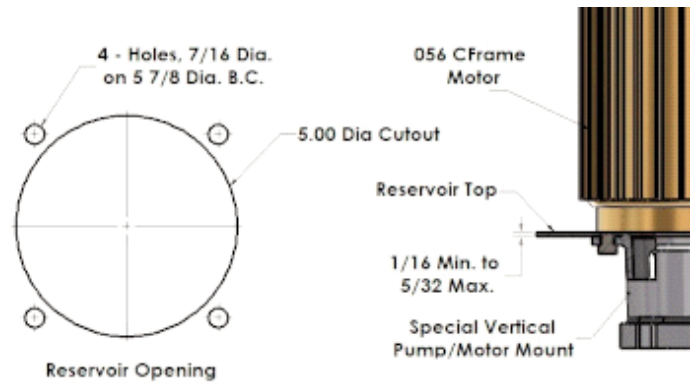
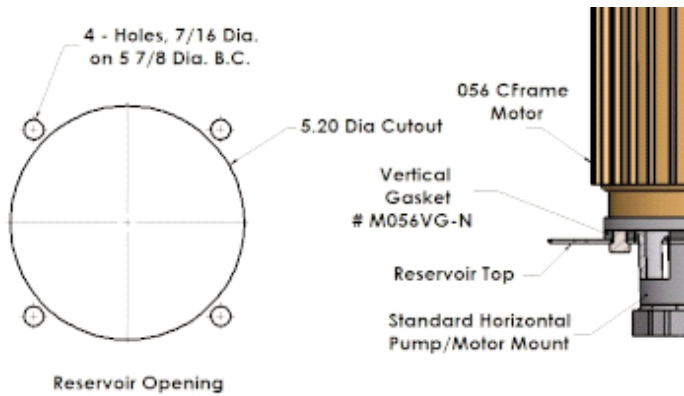
Filler Breather Cutout Dimensions



NEMA Frame 56C thru 145TC Vertical Mounting

OPTION A

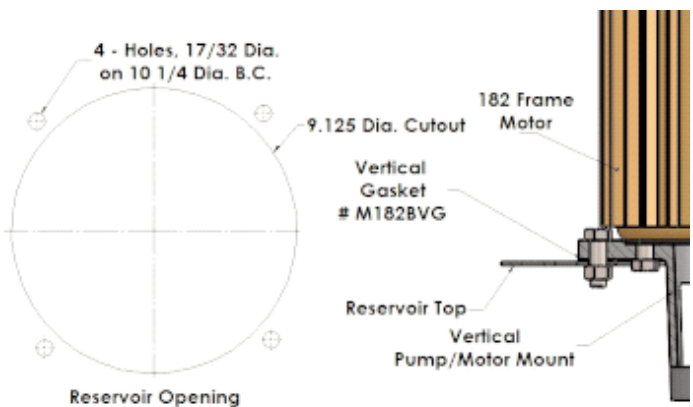
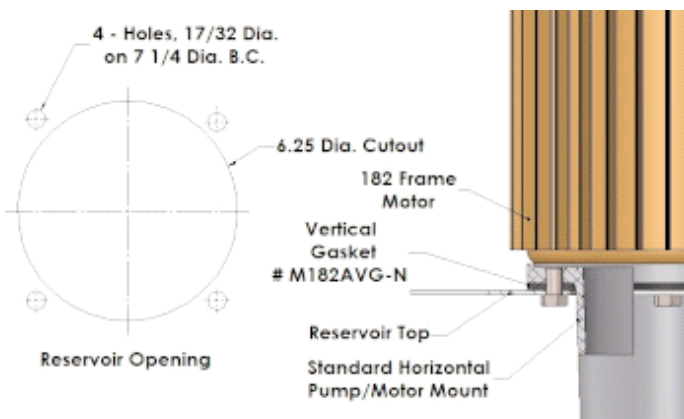
OPTION B



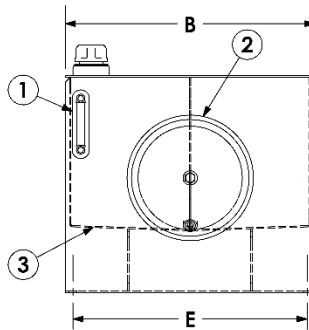
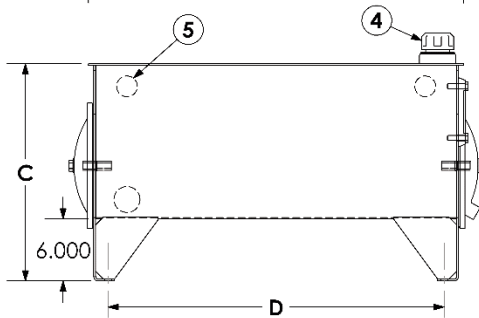
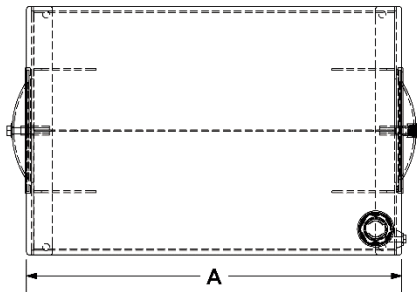
NEMA Frame 182TC thru 256TC Vertical Mounting

OPTION A

OPTION B



RJICxx-FT* JIC Series Reservoirs:



Size	Ends	Form	Top	Baffle
10 gal	7 ga	11 ga	7 ga	12 ga
15 gal	7 ga	11 ga	7 ga	12 ga
20 gal	7 ga	11 ga	7 ga	12 ga
30 gal	7 ga	11 ga	7 ga	12 ga
40 gal	7 ga	11 ga	7 ga	12 ga
50 gal	7 ga	11 ga	7 ga	12 ga
60 gal	7 ga	11 ga	1/4"	12 ga
80 gal	7 ga	11 ga	3/8"	12 ga
100 gal	7 ga	11 ga	3/8"	12 ga
120 gal	3/8"	11 ga	3/8"	12 ga
150 gal	3/8"	11 ga	3/8"	12 ga
200 gal	3/8"	7 ga	3/8"	12 ga

Includes:

- 1 - Sight Level Gauge (front mount) (SLLG-05T-C)
 - 2 - End Cover w/3/4" NPT Drain
End Cover w/out Drain (opposite end)
 - 3 - Sloped Bottom
 - 4 - Filler Breather Cap, Riser and Screen (FB-H008W)
 - 5 - Baffle w/Circulation Cutout
- Primer Coated Exterior
Rust Inhibitor Coated Interior

NOTE: Welds on the Top of these reservoirs are NOT leak tested.

Part Number	Capacity Gallons	Reservoir Dimensions (Inches)					End Cover
		A	B	C	D	E	
RJIC010-FT	10	22	18	19	18.25	16.5	12"
RJIC015-FT	15	26	18	19	22.25	16.5	12"
RJIC020-FT	20	30	18	19	26.25	16.5	12"
RJIC030-FT	30	36	24	19.38	32.25	22.5	12"
RJIC040-FT	40	36	24	21	32.25	22.5	12"
RJIC050-FT	50	36	24	23	32.25	22.5	16"
RJIC060-FT	60	48	27	20.69	44.25	25.5	16"
RJIC080-FT	80	60	27	21.5	56.25	25.5	16"
RJIC100-FT	100	60	27	23.5	56.25	25.5	16"
RJIC120-FT	120	60	30	27	56.25	28.5	16"
RJIC150-FT	150	60	30	31	56.25	28.5	16"
RJIC200-FT	200	72	36	29.38	68.25	34.5	18"

NOTE: Couplings, both SAE & NPT can be installed per your specifications

* Also available with Removable Top (substitute **RT** for **FT**) and Removable Baffle (substitute **RB** for **FT**)

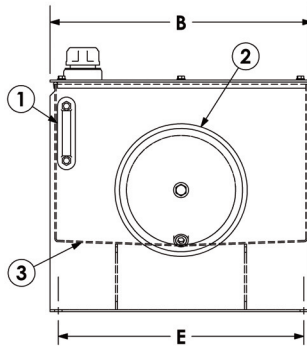
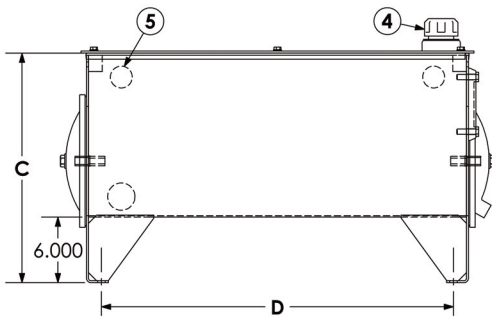
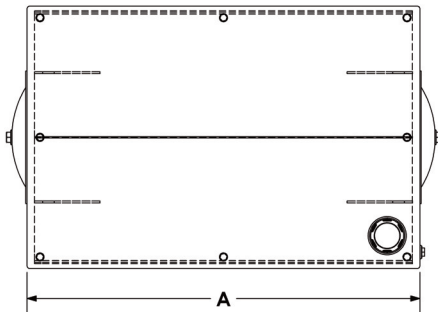
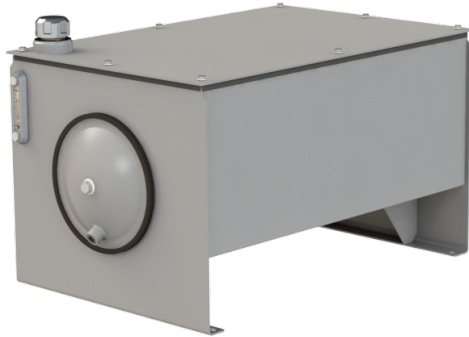
See page **JIC-RB** for dimensions of the **RB** versions.

DISCLAIMER: Due to Magnaloy's policy of continuous improvement, specifications are subject to change without notice.

JIC Series Reservoirs



RJICxx-RB* JIC Series Reservoirs:



Size	Ends	Form	Top	Baffle
10 gal	7 ga	11 ga	7 ga	12 ga
15 gal	7 ga	11 ga	7 ga	12 ga
20 gal	7 ga	11 ga	7 ga	12 ga
30 gal	7 ga	11 ga	7 ga	12 ga
40 gal	7 ga	11 ga	7 ga	12 ga
50 gal	7 ga	11 ga	7 ga	12 ga
60 gal	7 ga	11 ga	1/4"	12 ga
80 gal	7 ga	11 ga	3/8"	12 ga
100 gal	7 ga	11 ga	3/8"	12 ga
120 gal	3/8"	11 ga	3/8"	12 ga
150 gal	3/8"	11 ga	3/8"	12 ga
200 gal	3/8"	7 ga	3/8"	12 ga

Includes:

- 1 - Sight Level Gauge (front mount)
(SLLG-05T-C)
- 2 - End Cover w/3/4" NPT Drain
End Cover w/out Drain (opposite end)
- 3 - Sloped Bottom
- 4 - Filler Breather Cap, Riser and Screen
(FB-H008W)
- 5 - Baffle w/Circulation Cutout
Primer Coated Exterior
Rust Inhibitor Coated Interior

NOTE: Welds on the Top of these reservoirs are NOT leak tested.

Part Number	Capacity Gallons	Reservoir Dimensions (Inches)					End Cover
		A	B	C	D	E	
RJIC010-RB	10	24	16	18	20.25	14.5	12"
RJIC015-RB	15	26	18	19	22.25	16.5	12"
RJIC020-RB	20	32	21	18	28.12	19.5	12"
RJIC030-RB	30	36	24	19.38	32.25	22.5	12"
RJIC040-RB	40	36	24	21	32.25	22.5	12"
RJIC050-RB	50	36	24	23	32.25	22.5	12"
RJIC060-RB	60	38	25	25	34.25	23.5	18"
RJIC080-RB	80	47	30	26.88	43.25	28.5	18"
RJIC100-RB	100	47	30	29	43.25	28.5	18"
RJIC120-RB	120	60	30	27	56.25	28.5	18"
RJIC150-RB	150	60	30	31	56.25	28.5	18"
RJIC200-RB	200	72	36	29	68.25	34.5	18"

NOTE: Couplings, both SAE & NPT can be installed per your specifications

* The Removable Baffle reservoir comes with a fixed top only. See page 14 of our catalog for information on the fixed top/fixed baffle (FT) or removable top (RT) versions.

DISCLAIMER: Due to Magnaloy's policy of continuous improvement, specifications are subject to change without notice.

RLCxx-FT Series Reservoirs:

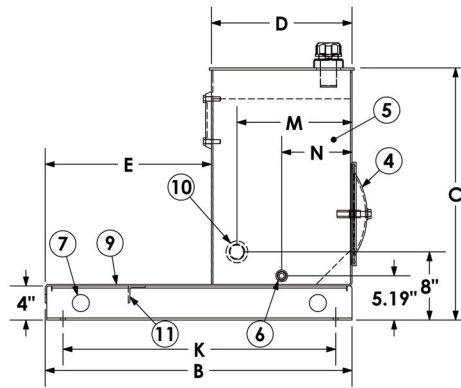
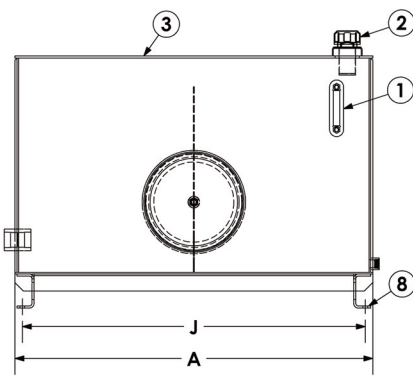


Size	Form	Top	Bottom	Baffle
10 gal	7 ga	1/4"	7 ga	11 ga
20 gal	7 ga	1/4"	7 ga	11 ga
30 gal	7 ga	1/4"	7 ga	11 ga
45 gal	7 ga	1/4"	7 ga	11 ga
60 gal	7 ga	1/4"	7 ga	11 ga
80 gal	7 ga	1/4"	3/8"	11 ga
100 gal	7 ga	1/4"	3/8"	11 ga
120 gal	7 ga	1/4"	3/8"	11 ga
150 gal	7 ga	1/4"	3/8"	11 ga
200 gal	7 ga	1/4"	3/8"	11 ga

Includes:

- 1 - Sight Level Gauge (front mount) (SLLG-05T-C)
 - 2 - Filler Breather Cap, Riser and Screen (FB-H008)
 - 3 - Fixed Top (Welded)
 - 4 - Clean-out Cover on Back Side
 - 5 - Baffles w/Circulation Cutout
 - 6 - 3/4" NPT Tank Drain
 - 7 - Lifting Holes in Channel Ends
 - 8 - 9/16 Dia Holes, 2 per Channel
 - 9 - Optional Porch Sizes-consult factory
 - 10 - Return Line Connection - "O" NPT
 - 11 - Bottom Stiffener
- Primer Coated Exterior
Rust Inhibitor Coated Interior

NOTE: Welds on the Top of these reservoirs are NOT leak tested.



Part Number	Capacity Gallons	Reservoir Dimensions (Inches)							Return Connections			Cover Size
		A	B	C	D	E	J	K	M	N	O	
RLC010-FT	10	24	22	26.56	6.5	15.44	22.25	18	4.5	3.25	1/2"	12
RLC020-FT	20	36	27	26.56	7.5	19.44	34.25	23	5.5	3.75	1"	12
RLC030-FT	30	36	30	28.56	10.5	19.44	34.25	26	7.5	5.25	1 1/2"	12
RLC045-FT	45	42	36	29.56	12.5	23.44	40.25	32	9.5	6.25	1 1/2"	12
RLC060-FT	60	42	36	29.56	16.5	19.44	40.25	32	13.5	8.25	1 1/2"	12
RLC080-FT	80	48	42	30.56	18.5	23.5	46.25	38	15.5	9.25	1 1/2"	16
RLC100-FT	100	50	47	31.56	21.5	25.5	48.25	43	18.5	10.75	2"	16
RLC120-FT	120	52	50	32.56	22.5	27.5	50.25	46	19.5	11.25	2"	16
RLC150-FT	150	60	50	33.56	22.5	27.5	58.25	46	19.5	11.25	2"	16
RLC200-FT	200	60	57	40.56	25.5	31.5	58.25	53	22.5	12.75	2"	16

DISCLAIMER: Due to Magnaloy's policy of continuous improvement, specifications are subject to change without notice.

L Series Reservoirs



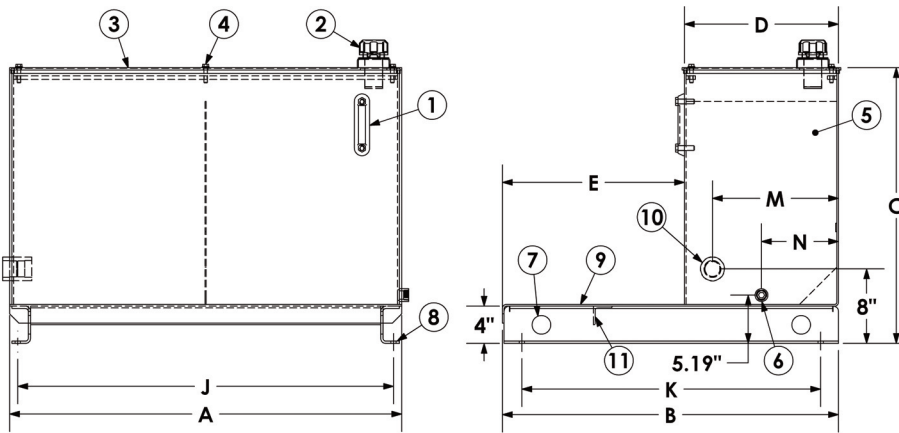
RLPxx-RT Series Reservoirs:



Size	Form	Top	Bottom	Baffle
10 gal	7 ga	1/4"	7 ga	11 ga
20 gal	7 ga	1/4"	7 ga	11 ga
30 gal	7 ga	1/4"	7 ga	11 ga
45 gal	7 ga	1/4"	7 ga	11 ga
60 gal	7 ga	1/4"	7 ga	11 ga
80 gal	7 ga	1/4"	3/8"	11 ga
100 gal	7 ga	1/4"	3/8"	11 ga
120 gal	7 ga	1/4"	3/8"	11 ga
150 gal	7 ga	1/4"	3/8"	11 ga
200 gal	7 ga	1/4"	3/8"	11 ga

Includes:

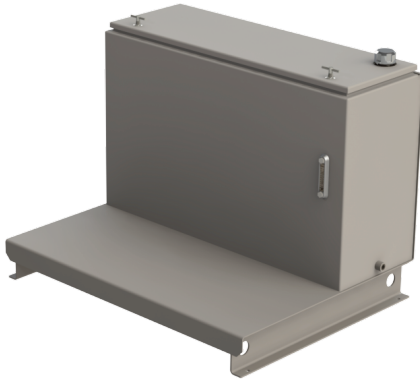
- 1 - Sight Level Gauge (front mount) (SLLG-05T-C)
 - 2 - Filler Breather Cap, Riser and Screen (FB-H008)
 - 3 - Removable Top w/Gasket
 - 4 - 6 Bolts to Secure Top
 - 5 - Baffles w/Circulation Cutout
 - 6 - 3/4" NPT Tank Drain
 - 7 - Lifting Holes in Channel Ends
 - 8 - 9/16 Dia Holes, 2 per Channel
 - 9 - Optional Porch Sizes - consult factory
 - 10 - Return Line Connection - "O" NPT
 - 11 - Bottom Stiffener
- Primer Coated Exterior
Rust Inhibitor Coated Interior



Part Number	Capacity Gallons	Reservoir Dimensions (Inches)							Return Connections		
		A	B	C	D	E	J	K	M	N	O
RLP010-RT	10	24	22	26.56	6.5	15.44	22.25	18	4.5	3.25	1/2"
RLP020-RT	20	36	27	26.56	7.5	19.44	34.25	23	5.5	3.75	1"
RLP030-RT	30	36	30	28.56	10.5	19.44	34.25	26	7.5	5.25	1 1/2"
RLP045-RT	45	42	36	29.56	12.5	23.44	40.25	32	9.5	6.25	1 1/2"
RLP060-RT	60	42	36	29.56	16.5	19.44	40.25	32	13.5	8.25	1 1/2"
RLP080-RT	80	48	42	30.56	18.5	23.5	46.25	38	15.5	9.25	1 1/2"
RLP100-RT	100	50	47	31.56	21.5	25.5	48.25	43	18.5	10.75	2"
RLP120-RT	120	52	50	32.56	22.5	27.5	50.25	46	19.5	11.25	2"
RLP150-RT	150	60	50	33.56	22.5	27.5	58.25	46	19.5	11.25	2"
RLP200-RT	200	60	57	40.56	25.5	31.5	58.25	53	22.5	12.75	2"

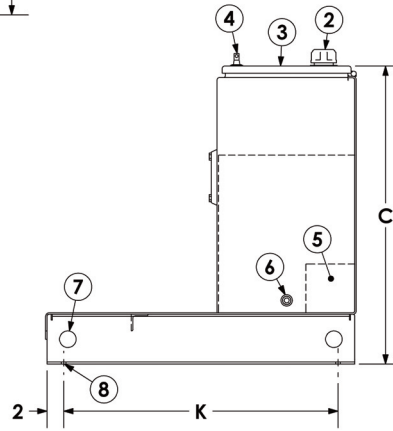
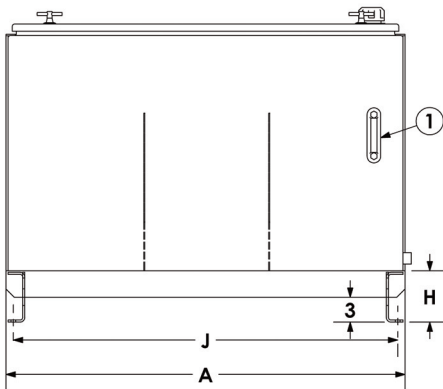
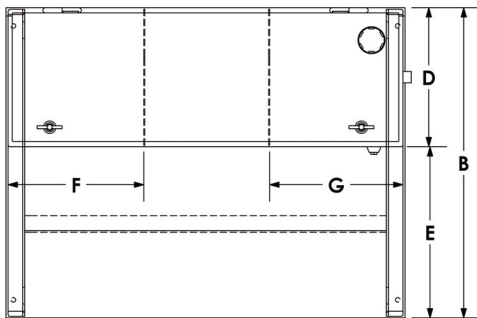
DISCLAIMER: Due to Magnaloy's policy of continuous improvement, specifications are subject to change without notice.

RLPxx-HT Series Reservoirs:



Size	Form	Top	Bottom	Baffle
10 gal	7 ga	11 ga	7 ga	11 ga
20 gal	7 ga	11 ga	7 ga	11 ga
30 gal	7 ga	11 ga	7 ga	11 ga
45 gal	7 ga	11 ga	7 ga	11 ga
60 gal	7 ga	11 ga	7 ga	11 ga
80 gal	7 ga	11 ga	3/8"	11 ga
100 gal	7 ga	11 ga	3/8"	11 ga
120 gal	7 ga	11 ga	3/8"	11 ga
150 gal	7 ga	11 ga	3/8"	11 ga
200 gal	7 ga	11 ga	3/8"	11 ga

4



Includes:

- 1 - Sight Level Gauge (front mount) (SLLG-05T-C)
 - 2 - Filler Breather Cap, Riser and Screen (FB-H008W)
 - 3 - Hinged Top w/Gasket
 - 4 - T-Handles to Secure Top
 - 5 - Baffles w/Circulation Cutout
 - 6 - 3/4" NPT Tank Drain
 - 7 - Lifting Holes in Channel Ends
 - 8 - 9/16 Dia Holes, 2 per Channel
- Primer Coated Exterior
Rust Inhibitor Coated Interior

Part Number	Capacity Gallons	Reservoir Dimensions (Inches)									
		A	B	C	D	E	F	G	H	J	K
RLP010-HT	10	24	23.38	23.88	11.13	12.25	N/A	11	6.18	22.25	19
RLP020-HT	20	30	27.38	25.88	13.5	13.88	N/A	12	6.18	28.25	23
RLP030-HT	30	36	30.38	29.88	13.75	16.63	N/A	12	6.18	34.25	26
RLP045-HT	45	54	31.38	29.88	13.75	17.63	12	12	6.18	52.25	27
RLP060-HT	60	48	37.38	35.88	16.75	20.63	N/A	16	6.18	46.25	33
RLP080-HT	80	66	38.56	36.06	16.38	22	16	16	6.38	64.25	34
RLP100-HT	100	60	42.56	39.06	19.38	23	N/A	16	6.38	58.25	38
RLP120-HT	120	72	42.56	39.06	19.38	23	16	16	6.38	70.25	38
RLP150-HT	150	72	50.56	39.06	25.38	25	N/A	16	6.38	70.25	46
RLP200-HT	200	84	51.56	42.06	25.38	26	16	16	6.38	82.25	47

DISCLAIMER: Due to Magnaloy's policy of continuous improvement, specifications are subject to change without notice.

L Series Reservoirs



RLPxx-PHT Series Reservoirs:

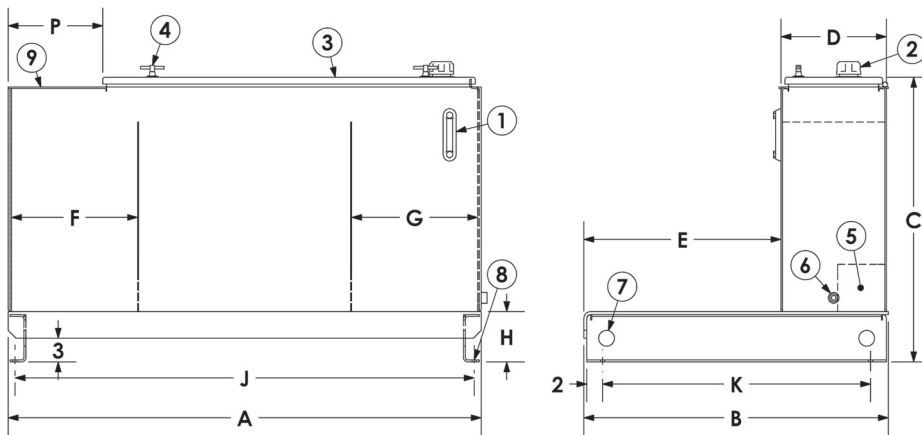


Size	Form	Top	Lid	Bottom	Baffle
80 gal	7 ga	7 ga	11 ga	3/8"	11 ga
100 gal	7 ga	7 ga	11 ga	3/8"	11 ga
120 gal	7 ga	7 ga	11 ga	3/8"	11 ga
150 gal	7 ga	7 ga	11 ga	3/8"	11 ga
200 gal	7 ga	7 ga	11 ga	3/8"	11 ga

Includes:

- 1 - Sight Level Gauge (front mount) (SLLG-05T-C)
 - 2 - Filler Breather Cap, Riser and Screen (FB-H008W)
 - 3 - Partial Hinged Top w/Gasket
 - 4 - T-Handles to Secure Top
 - 5 - Baffles w/Circulation Cutout
 - 6 - 3/4" NPT Tank Drain
 - 7 - Lifting Holes in Channel Ends
 - 8 - 9/16 Dia Holes, 2 per Channel
 - 9 - Upper Porch for filter mounting
- Primer Coated Exterior
Rust Inhibitor Coated Interior

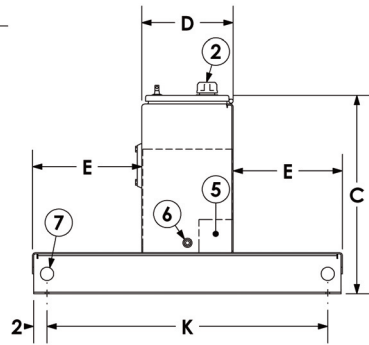
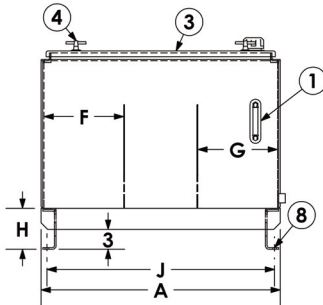
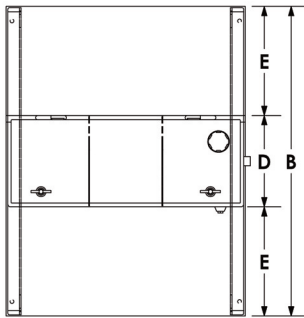
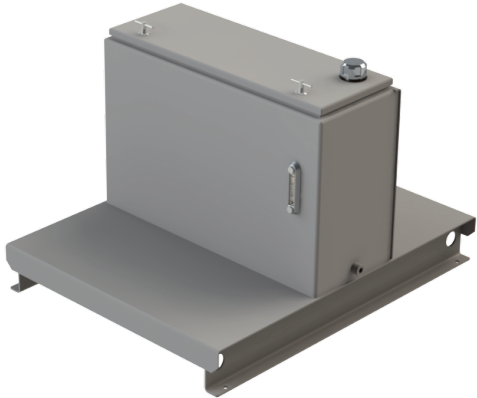
NOTE: Welds on the Top of these reservoirs are NOT leak tested.



Part Number	Capacity Gallons	Reservoir Dimensions (Inches)										
		A	B	C	D	E	F	G	H	J	K	P
RLP080-PHT	80	60	38.56	36.06	13.38	25	16	16	6.38	58.25	34	12
RLP100-PHT	100	60	42.56	36.06	16.38	26	16	16	6.38	58.25	38	12
RLP120-PHT	120	72	42.56	36.06	16.38	26	16	16	6.38	70.25	38	12
RLP150-PHT	150	72	50.56	39.06	18.38	32	16	16	6.38	70.25	46	12
RLP200-PHT	200	84	51.56	42.06	18.38	33	24	16	6.38	82.25	47	16

DISCLAIMER: Due to Magnaloy's policy of continuous improvement, specifications are subject to change without notice.

RTPxxx-HT Series Reservoirs:



Size	Form	Top	Lid	Bottom	Baffle
10 gal	7 ga	7 ga	11 ga	7 ga	11 ga
20 gal	7 ga	7 ga	11 ga	7 ga	11 ga
30 gal	7 ga	7 ga	11 ga	7 ga	11 ga
45 gal	7 ga	7 ga	11 ga	7 ga	11 ga
60 gal	7 ga	7 ga	11 ga	7 ga	11 ga
80 gal	7 ga	7 ga	11 ga	3/8"	11 ga
100 gal	7 ga	7 ga	11 ga	3/8"	11 ga
120 gal	7 ga	7 ga	11 ga	3/8"	11 ga
150 gal	7 ga	7 ga	11 ga	3/8"	11 ga
200 gal	7 ga	7 ga	11 ga	3/8"	11 ga
300 gal	7 ga	7 ga	11 ga	1/2"	11 ga
400 gal	7 ga	7 ga	11 ga	1/2"	11 ga

Includes:

- 1 - Sight Level Gauge (front mount) (SLLG-05T-C)
 - 2 - Filler Breather Cap, Riser and Screen (FB-H008W)
 - 3 - Hinged Top w/Gasket
 - 4 - T-Handles to Secure Top
 - 5 - Baffles w/Circulation Cutout
 - 6 - 3/4" NPT Tank Drain
 - 7 - Lifting Holes in Channel Ends
 - 8 - 9/16 Dia Holes, 2 per Channel
 - 9 - Upper Porch for filter mounting
- Primer Coated Exterior
Rust Inhibitor Coated Interior

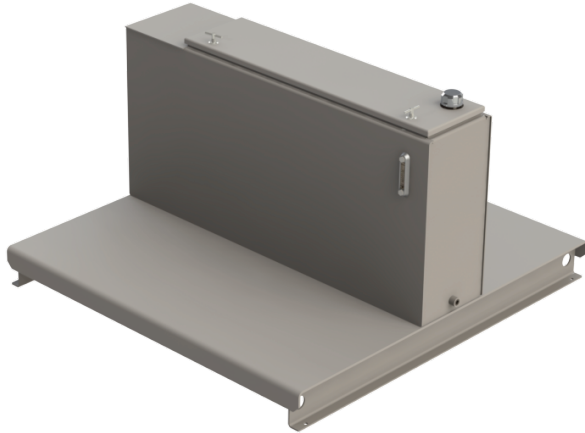
Part Number	Capacity Gallons	Reservoir Dimensions (Inches)									
		A	B	C	D	E	F	G	H	J	K
RTP010-HT	10	24	35.25	23.88	11.12	12.06	N/A	11	6.19	22.25	30.88
RTP020-HT	20	30	40.62	25.88	13.5	13.56	N/A	12	6.19	28.25	36.25
RTP030-HT	30	36	46.62	29.88	13.75	16.44	N/A	12	6.19	34.25	42.25
RTP045-HT	45	54	48.62	29.88	13.75	17.44	12	12	6.19	52.25	44.25
RTP060-HT	60	48	58	35.88	16.75	20.62	N/A	16	6.19	46.25	53.62
RTP080-HT	80	66	61.12	36.06	16.38	22.38	16	16	6.38	64.25	56.38
RTP100-HT	100	60	66.12	39.06	19.38	23.38	N/A	16	6.38	58.25	61.38
RTP120-HT	120	72	68.12	39.06	19.38	24.38	16	16	6.38	70.25	63.38
RTP150-HT	150	72	76.12	39.06	25.38	25.38	N/A	16	6.38	70.25	71.38
RTP200-HT	200	84	78.12	42.06	25.38	26.38	16	16	6.38	82.25	73.38
RTP300-HT	300	84	77.75	54.19	25.38	26.19	16	16	6.5	82.25	73.25
RTP400-HT	400	84	91	54.19	28.38	31.31	16	16	6.5	82.25	86.5

DISCLAIMER: Due to Magnaloy's policy of continuous improvement, specifications are subject to change without notice.

T Series Reservoirs



RTPxxx-PHT Series Reservoirs:



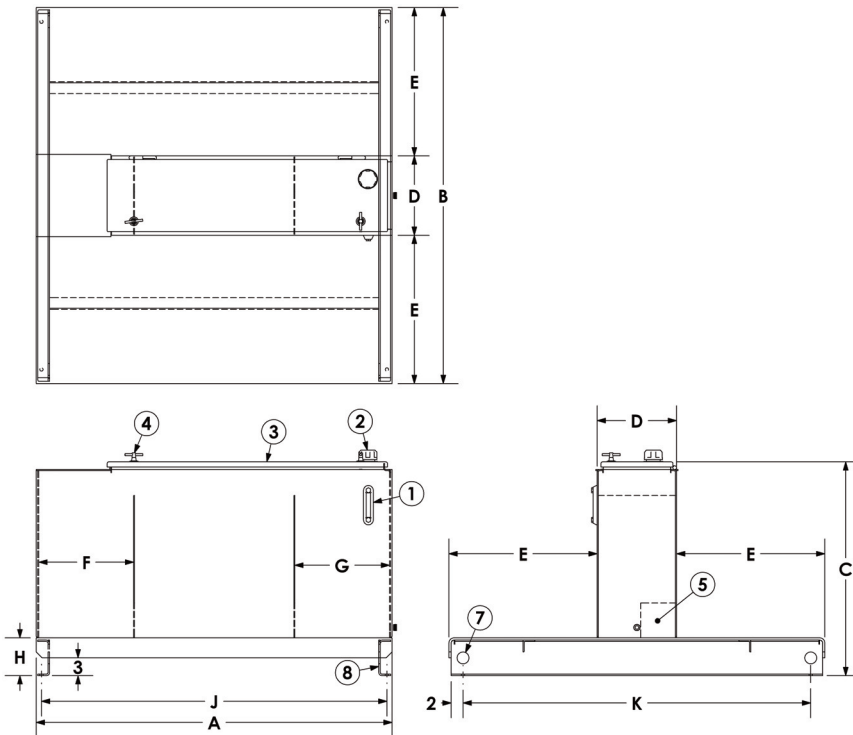
Size	Form	Top	Lid	Bottom	Baffle
80 gal	7 ga	7 ga	11 ga	3/8"	11 ga
100 gal	7 ga	7 ga	11 ga	3/8"	11 ga
120 gal	7 ga	7 ga	11 ga	3/8"	11 ga
150 gal	7 ga	7 ga	11 ga	3/8"	11 ga
200 gal	7 ga	7 ga	11 ga	3/8"	11 ga

4

Includes:

- 1 - Sight Level Gauge (front mount) (SLLG-05T-C)
 - 2 - Filler Breather Cap, Riser and Screen (FB-H008W)
 - 3 - Partial Hinged Top w/Gasket
 - 4 - T-Handles to Secure Top
 - 5 - Baffles w/Circulation Cutout
 - 6 - 3/4" NPT Tank Drain
 - 7 - Lifting Holes in Channel Ends
 - 8 - 9/16 Dia Holes, 2 per Channel
 - 9 - Upper Porch for filter mounting
- Primer Coated Exterior
Rust Inhibitor Coated Interior

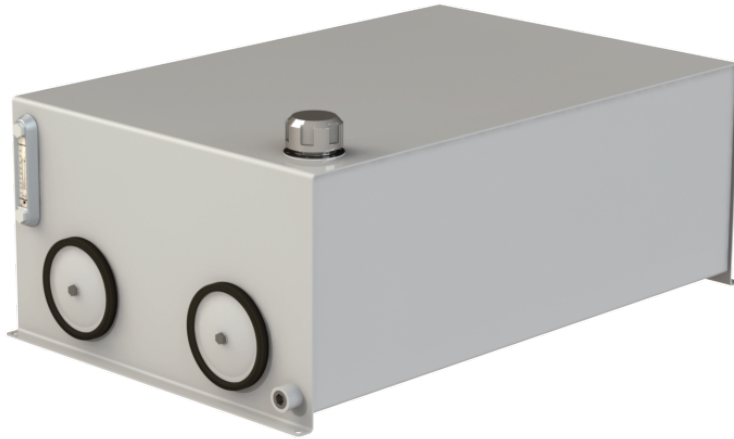
NOTE: Welds on the Top of these reservoirs are NOT leak tested.



Part Number	Capacity Gallons	Reservoir Dimensions (Inches)										
		A	B	C	D	E	F	G	H	J	K	P
RTP080-PHT	80	60	63.38	36.06	13.38	25	16	16	6.38	58.25	58.63	12
RTP100-PHT	100	60	68.38	36.06	16.38	26	16	16	6.38	58.25	63.63	12
RTP120-PHT	120	72	68.38	36.06	16.38	26	16	16	6.38	70.25	63.63	12
RTP150-PHT	150	72	82.38	39.06	18.38	32	16	16	6.38	70.25	77.63	12
RTP200-PHT	200	84	84.38	42.06	18.38	33	24	16	6.38	82.25	79.63	16

DISCLAIMER: Due to Magnaloy's policy of continuous improvement, specifications are subject to change without notice.

RHCxx-FT Series Reservoirs:



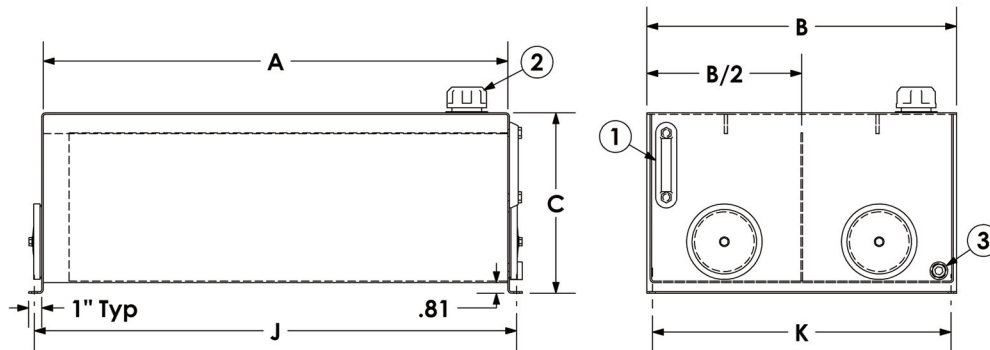
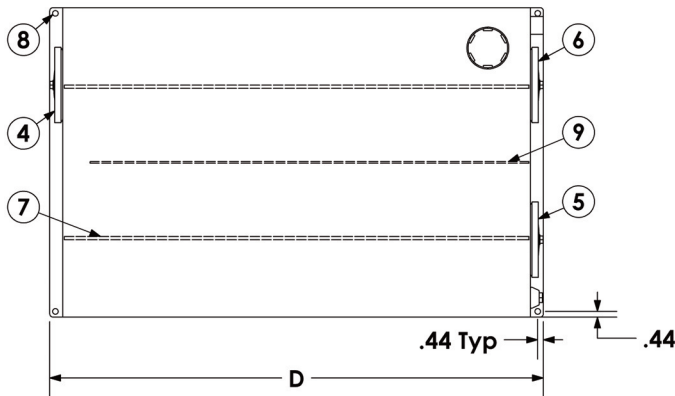
4

Size	Ends	Form	Top	Baffle
ALL	11 ga	11 ga	11 ga	11 ga

Includes:

- 1 - Sight Level Gauge (front mount) (SLLG-05T-C)
 - 2 - Filler Breather Cap, Riser and Screen (FB-H008W) Included, **Cutout Hole Not Provided**
 - 3 - 3/4" NPT Tank Drain
 - 4 - End Cover - 10, 20, 30 Gal Only
 - 5 - End Cover - 10, 20, 30 & 40 Gal
 - 6 - End Cover - 40 Gal Only
 - End Cover - 60 Gal Only - single 12" cover centered on each end.
 - 7 - Top Stiffeners - except 10 Gal
 - 8 - 7/16" Dia. Holes on Bottom Flange for Tank Mounting
 - 9 - Baffle w/cutout for circulation
- Primer Coated Exterior
Rust Inhibitor Coated Interior

NOTE: Welds on the Top of these reservoirs are NOT leak tested.



Part Number	Capacity Gallons	Reservoir Dimensions (Inches)					
		A	B	C	D	J	K
RHC010-FT	10	20	14	12	22.25	21.38	13.13
RHC020-FT	20	24	18	14	26.25	25.38	17.13
RHC030-FT	30	36	18	14	38.25	37.38	17.13
RHC040-FT	40	36	24	14	38.25	37.38	23.13
RHC060-FT	60	40	30	16.63	42.38	41.50	29.13

DISCLAIMER: Due to Magnaloy's policy of continuous improvement, specifications are subject to change without notice.

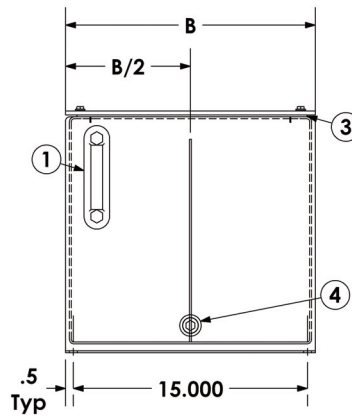
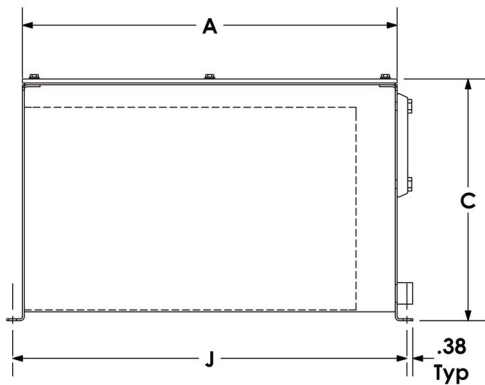
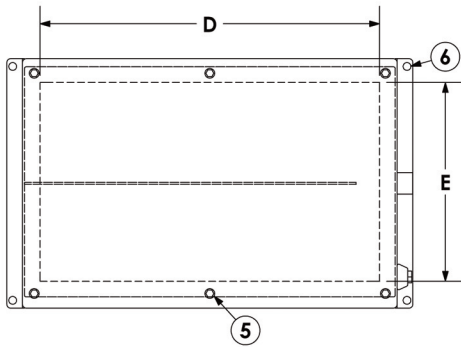
Horizontal Series Reservoirs



RHPxx-RT Series Reservoirs:



Size	Ends	Form	Top	Baffle
10 gal	11 ga	11 ga	1/4"	11 ga
20 gal	11 ga	11 ga	1/4"	11 ga
30 gal	11 ga	11 ga	1/4"	11 ga
40 gal	11 ga	11 ga	1/4"	11 ga



Includes:

- 1 - Sight Level Gauge (front mount) (SLLG-05T-C)
 - 2 - Filler Breather Cap, Riser and Screen (FB-H008W) Included, **Cutout Hole Not Provided**
 - 3 - Neoprene Foam Gasket Top Seal
 - 4 - 3/4" NPT Tank Drain
 - 5 - 6 Bolts to secure Top (1/4"-20)
 - 6 - 1/2" Dia. Holes on Bottom Flange for Tank Mounting
- Primer Coated Exterior
Rust Inhibitor Coated Interior

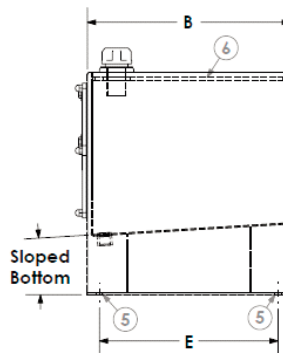
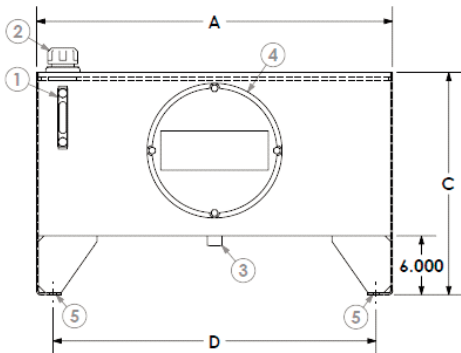
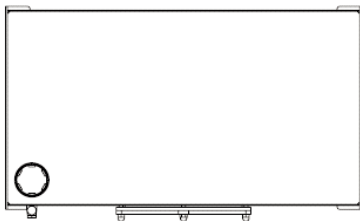
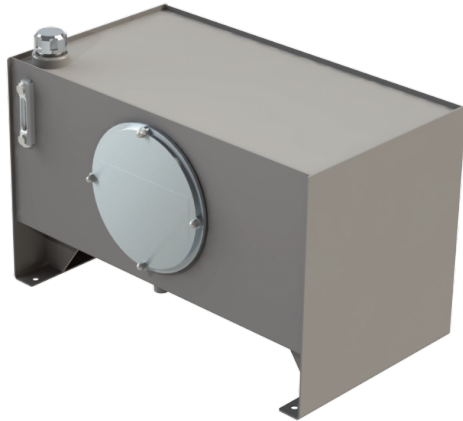
Part Number	Capacity Gallons	Reservoir Dimensions (Inches)						
		A	B	C	D	E	J	K
RHP010-RT	10	24	16	9.5	21.75	12.75	25.25	15
RHP020-RT	20	24	16	15.5	21.75	12.75	25.25	15
RHP030-RT	30	24	16	21.5	21.75	12.75	25.25	15
RHP040-RT	40	24	16	27.5	21.75	12.75	25.25	15

DISCLAIMER: Due to Magnaloy's policy of continuous improvement, specifications are subject to change without notice.

RDINxxx-AFA (Front Access) A Type Reservoirs:

Type A DIN Reservoirs are constructed with a recessed welded top and front clean-out access. The reservoir has an elevated reservoir floor sloped toward the front clean-out access with bottom mounted drain plug. Each reservoir is supplied with a sight level gauge, filler breather and access cover.

4



Size	Ends	Form	Top	Baffle	Drain
20 - 40	7ga	11 ga	7 ga	N/A	#12 SAE
60 - 80	7 ga	11 ga	3/8"	N/A	#12 SAE
100 - 150	3/8"	11 ga	3/8"	N/A	#16 SAE
200 - 300	3/8"	7 ga	3/8"	N/A	#16 SAE

Includes:

- 1 - Sight Level Gauge (front mount) (SLLG-05T-C on Sizes less than 100 Gal., SSLG-10T-C on Sizes 100 Gal. and greater.
 - 2 - Filler Breather Cap, Riser and Screen (FB-H008W) Included, **Cutout Hole Not Provided**
 - 3 - SAE O-ring Drain
 - 4 - DIN Style End Cover
 - 5 - 5/8" Dia. Holes on Bottom Flange for Tank Mounting
 - 6 - Recessed Top (Drip Tray)
- Primer Coated Exterior
Rust Inhibitor Coated Interior

Note: * Drain plugs need to be sealed and tightened before use.

* Sight Gage and Filler Breather are shipped loose inside the reservoir.

* Industry accepted design practice for Hydraulic systems limits maximum operating temperature to 180° F (28°C), but materials used for fabrication of the reservoirs are capable of operating temperature between -40° and 250° F (-40° and 121° C).

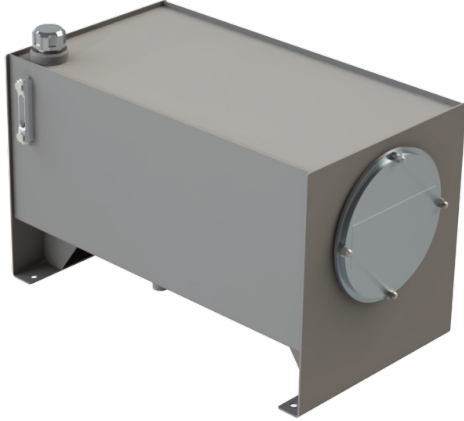
Caution: Reservoirs are not designed for positive or negative pressure applications, consult factory for these applications.

Part Number	Capacity		Reservoir Dimensions (inches)						End Cover
			A	B	C	D	E	F	
	(Gallons)	(Liters)	(length)	(width)	(height)	Mntg. Ctrs.		(Mntg. Ctrs.)	
RDIN020-AFA	20	76	24.38	18.00	21.00	21.75	15.50	5.00	
RDIN030-AFA	30	114	30.38	20.75	21.44	27.00	18.25	5.00	
RDIN040-AFA	40	151	36.38	20.75	22.75	33.00	18.25	5.00	
RDIN060-AFA	60	227	42.38	24.00	24.75	39.00	21.50	5.00	
RDIN080-AFA	80	303	42.38	30.00	25.38	39.00	27.50	5.00	
RDIN100-AFA	100	379	42.38	30.00	29.25	39.00	27.50	10.00	
RDIN120-AFA	120	454	48.50	30.00	30.25	45.00	27.50	10.00	
RDIN150-AFA	150	568	60.50	30.00	30.25	57.00	27.50	10.00	
RDIN200-AFA	200	757	72.75	36.00	29.81	69.00	33.50	10.00	
RDIN300-AFA	300	1136	72.75	36.00	38.69	69.00	33.50	10.00	

DISCLAIMER: Due to Magnaloy's policy of continuous improvement, specifications are subject to change without notice.

RDINxxx-BSA (Side Access) B Type Reservoirs:

Type B DIN Reservoirs are constructed with a recessed welded top and clean-out access on each end. The reservoir has an elevated reservoir floor sloped toward the front panel with bottom mounted drain plug. Each reservoir is supplied with a sight level gauge, filler breather and access cover.



Size	Ends	Form	Top	Baffle	Drain
20 -40	7ga	11 ga	7 ga	11 ga	#12 SAE
60 - 80	7 ga	11 ga	3/8"	11 ga	#12 SAE
100 - 150	3/8"	11 ga	3/8"	11 ga	#16 SAE
200 - 300	3/8"	7 ga	3/8"	11 ga	#16 SAE

4

Includes:

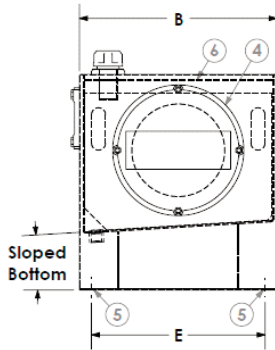
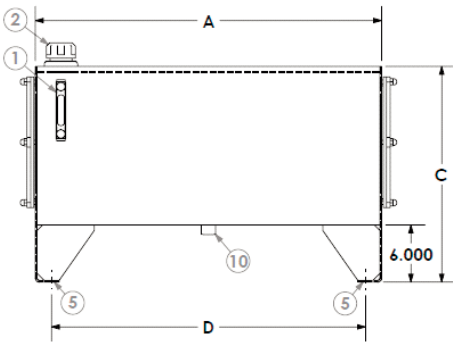
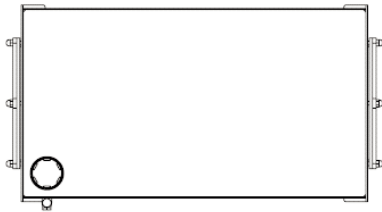
- 1 - Sight Level Gauge (front mount) (SLLG-05T-C on Sizes less than 100 Gal., SSLG-10T-C on Sizes 100 Gal. and greater.
- 2 - Filler Breather Cap, Riser and Screen (FB-H008W) Included, **Cutout Hole Not Provided**
- 3 - SAE O-ring Drain
- 4 - DIN Style End Cover
- 5 - 5/8" Dia. Holes on Bottom Flange for Tank Mounting
- 6 - Recessed Top (Drip Tray)
Primer Coated Exterior
Rust Inhibitor Coated Interior

Note: * Drain plugs need to be sealed and tightened before use.

* Sight Gage and Filler Breather are shipped loose inside the reservoir.

* Industry accepted design practice for Hydraulic systems limits maximum operating temperature to 180° F (28°C), but materials used for fabrication of the reservoirs are capable of operating temperature between -40° and 250° F (-40° and 121° C).

Caution: Reservoirs are not designed for positive or negative pressure applications, consult factory for these applications.



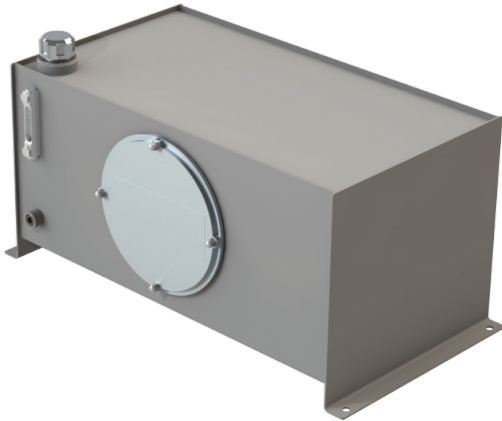
Part Number	Capacity		Reservoir Dimensions (inches)						End Cover
			A	B	C	(Mtg. Ctrs.)		Sight Gauge	
	(Gallons)	(Liters)	(length)	(width)	(height)	D	E	(Mtg. Ctrs.)	
RDIN020-BSA	20	76	24.38	18.00	21.00	21.75	15.50	5.00	
RDIN030-BSA	30	114	30.38	20.75	21.44	27.00	18.25	5.00	
RDIN040-BSA	40	151	36.38	20.75	22.75	33.00	18.25	5.00	
RDIN060-BSA	60	227	42.38	24.00	24.75	39.00	21.50	5.00	
RDIN080-BSA	80	303	42.38	30.00	25.38	39.00	27.50	5.00	
RDIN100-BSA	100	379	42.38	30.00	29.25	39.00	27.50	10.00	
RDIN120-BSA	120	454	48.50	30.00	30.25	45.00	27.50	10.00	
RDIN150-BSA	150	568	60.50	30.00	30.25	57.00	27.50	10.00	
RDIN200-BSA	200	757	72.75	36.00	29.81	69.00	33.50	10.00	
RDIN300-BSA	300	1136	72.75	36.00	38.69	69.00	33.50	10.00	

DISCLAIMER: Due to Magnaloy's policy of continuous improvement, specifications are subject to change without notice.

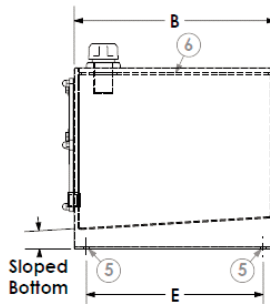
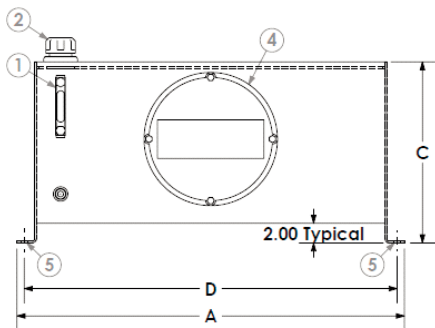
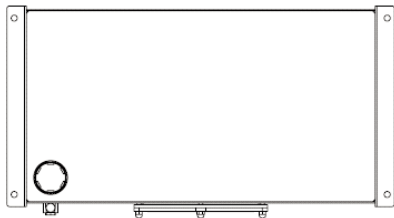
RDINxxx-CFA (Front Access) C Type Reservoirs:

Type C DIN Reservoirs are constructed with a recessed welded top and front clean-out access. The reservoir has a low profile with mounting feet flanged outward from the tank. The reservoir floor is sloped toward the front clean-out access with a bottom mounted drain plug. Each reservoir is supplied with a sight level gauge, filler breather and access cover.

4



Size	Ends	Form	Top	Baffle	Drain
20 -40	7ga	11 ga	7 ga	N/A	#12 SAE
60 - 80	7 ga	11 ga	3/8"	N/A	#12 SAE
100 - 150	3/8"	11 ga	3/8"	N/A	#16 SAE
200	3/8"	7 ga	3/8"	N/A	#16 SAE



Includes:

- 1- Sight Level Gauge (front mount) (SLLG-05T-C on Sizes less than 100 Gal., SSLG-10T-C on Sizes 100 Gal. and greater.
- 2 - Filler Breather Cap, Riser and Screen (FB-H008W) Included, **Cutout Hole Not Provided**
- 3 - SAE O-ring Drain
- 4 - DIN Style End Cover
- 5 - 5/8" Dia. Holes on Bottom Flange for Tank Mounting
- 6 - Recessed Top (Drip Tray)
Primer Coated Exterior
Rust Inhibitor Coated Interior

Note: * Drain plugs need to be sealed and tightened before use.

* Sight Gage and Filler Breather are shipped loose inside the reservoir.

* Industry accepted design practice for Hydraulic systems limits maximum operating temperature to 180° F (28°C), but materials used for fabrication of the reservoirs are capable of operating temperature between -40° and 250° F (-40° and 121° C).

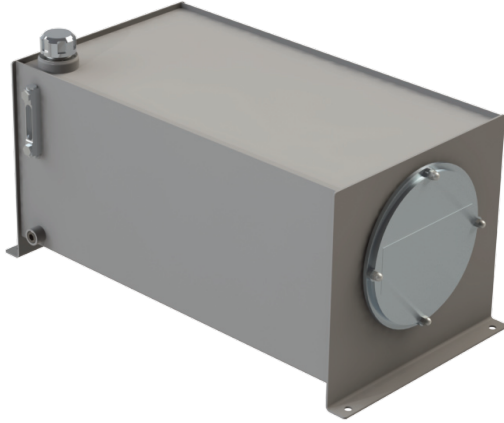
Caution: Reservoirs are not designed for positive or negative pressure applications, consult factory for these applications.

Part Number	Capacity		Reservoir Dimensions (inches)						End Cover
			A	B	C	(Mtg. Ctrs.)		Sight Gauge	
	(Gallons)	(Liters)	(length)	(width)	(height)	D	E	(Mtg. Ctrs.)	
RDIN020-CFA	20	76	28.00	18.00	17.00	26.50	15.50	5.00	
RDIN030-CFA	30	114	34.00	20.75	17.44	32.50	18.25	5.00	
RDIN040-CFA	40	151	40.00	20.75	18.75	38.50	18.25	5.00	
RDIN060-CFA	60	227	46.00	24.00	20.75	44.50	21.50	5.00	
RDIN080-CFA	80	303	46.00	30.00	21.38	44.50	27.50	5.00	
RDIN100-CFA	100	379	46.00	30.00	25.25	44.50	27.50	10.00	
RDIN120-CFA	120	454	52.00	30.00	26.25	50.50	27.50	10.00	
RDIN150-CFA	150	568	64.00	30.00	26.25	62.50	27.50	10.00	
RDIN200-CFA	200	757	77.00	36.00	25.81	75.50	33.50	10.00	

DISCLAIMER: Due to Magnaloy's policy of continuous improvement, specifications are subject to change without notice.

RDINxxxDSA (Side Access) D Type Reservoirs:

Type D DIN Reservoirs are constructed with a recessed welded top and clean-out access on each end. The reservoir has a low profile with mounting feet flanged outward from the tank. The reservoir floor is sloped toward the front panel with a bottom mounted drain plug. Each reservoir is supplied with a sight level gauge, filler breather and access cover.



Size	Ends	Form	Top	Baffle	Drain
20 -40	7ga	11 ga	7 ga	11 ga	#12 SAE
60 - 80	7 ga	11 ga	3/8"	11 ga	#12 SAE
100 - 150	3/8"	11 ga	3/8"	11 ga	#16 SAE
200	3/8"	7 ga	3/8"	11 ga	#16 SAE

Includes:

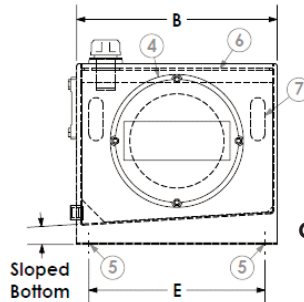
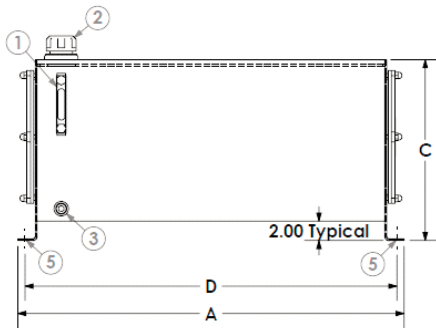
- 1- Sight Level Gauge (front mount) (SLLG-05T-C on Sizes less than 100 Gal., SSLG-10T-C on Sizes 100 Gal. and greater.
- 2 - Filler Breather Cap, Riser and Screen (FB-H008W) Included, **Cutout Hole Not Provided**
- 3 - SAE O-ring Drain
- 4 - DIN Style End Cover
- 5 - 5/8" Dia. Holes on Bottom Flange for Tank Mounting
- 6 - Recessed Top (Drip Tray)
Primer Coated Exterior
Rust Inhibitor Coated Interior

Note: * Drain plugs need to be sealed and tightened before use.

* Sight Gage and Filler Breather are shipped loose inside the reservoir.

* Industry accepted design practice for Hydraulic systems limits maximum operating temperature to 180° F (28°C), but materials used for fabrication of the reservoirs are capable of operating temperature between -40° and 250° F (-40° and 121° C).

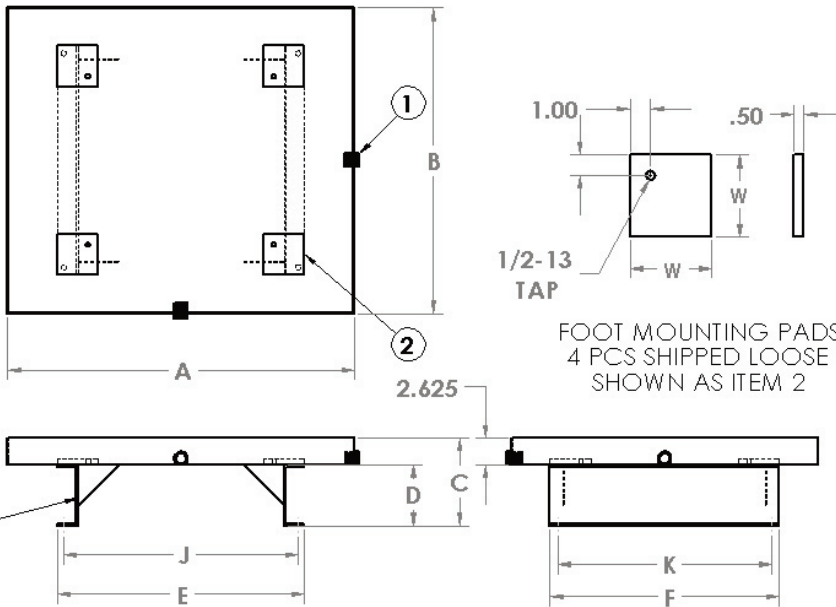
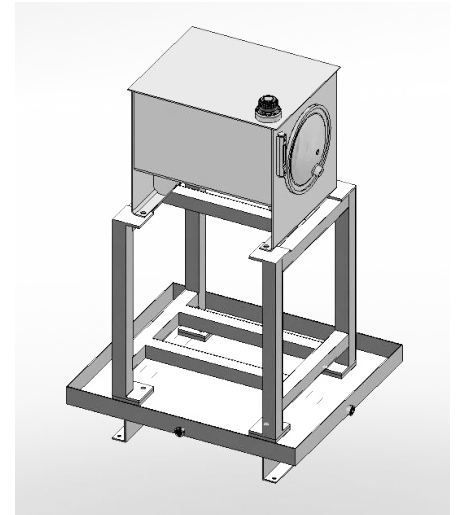
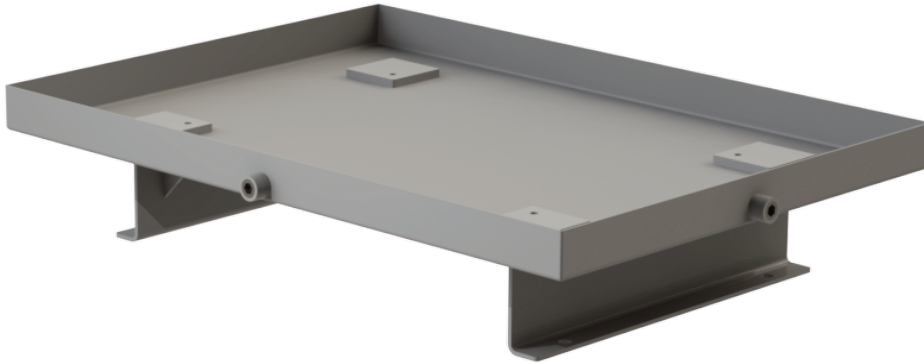
Caution: Reservoirs are not designed for positive or negative pressure applications, consult factory for these applications.



Part Number	Capacity		Reservoir Dimensions (inches)						End Cover
			A	B	C	(Mtg. Ctrs.)		Sight Gauge	
	(Gallons)	(Liters)	(length)	(width)	(height)	D	E	(Mtg. Ctrs.)	
RDIN020-DSA	20	76	28.00	18.00	17.00	26.50	15.50	5.00	
RDIN030-DSA	30	114	34.00	20.75	17.44	32.50	18.25	5.00	
RDIN040-DSA	40	151	40.00	20.75	18.75	38.50	18.25	5.00	
RDIN060-DSA	60	227	46.00	24.00	20.25	44.50	21.50	5.00	
RDIN080-DSA	80	303	46.00	30.00	21.38	44.50	27.50	5.00	
RDIN100-DSA	100	379	46.00	30.00	25.25	44.50	27.50	10.00	
RDIN120-DSA	120	454	52.00	30.00	26.25	50.50	27.50	10.00	
RDIN150-DSA	150	568	64.00	30.00	26.25	62.50	27.50	10.00	
RDIN200-DSA	200	757	77.00	36.00	25.81	72.50	33.50	10.00	

DISCLAIMER: Due to Magnaloy's policy of continuous improvement, specifications are subject to change without notice.

Fits Magnaloy RJIC Series Reservoirs and Stacking Modules:



Includes:

- 1 - (2) 3/4" NPT Drains
 - 2 - (4) Foot Mounting Pads
Included (loose)
 - 3 - To eliminate Risers Change
Part Number to RJDPP Series
- Sizes 10 thru 100 Drip Pans are
11 gauge
- Sizes 120 thru 200 Drip Pans are
7 gauge
- Primer Coated Exterior
All Edges Deburred
Designed to fit Magnaloy
Stacking Module (pg 139)
and RJIC Reservoir (pg 124)
(see image above)

Part Number	Drip Pan Size (Gallons)	Fits Reservoir	Drip Pan Dimensions (Inches)								Pad W
			A	B	C	D	E	F	J	K	
RJDPR010	10	RJIC010-	34	30	8.63	6	24.25	22.5	22.75	16.5	4
RJDPR015	15	RJIC015-	38	30	8.63	6	28.25	22.5	26.75	16.5	4
RJDPR020	20	RJIC020-	42	30	8.63	6	32.25	22.5	30.75	16.5	4
RJDPR030	30-50	RJIC030- thru 50-	48	36	8.63	6	38.25	28.5	36.75	22.5	4
RJDPR060	60	RJIC060-	60	39	8.63	6	50.25	31.5	48.75	25.5	4
RJDPR080	80-100	RJIC080- thru 100-	72	39	8.63	6	62.25	31.5	60.75	25.5	4
RJDPR120	120-150	RJIC120- thru 150-	72	42	8.63	6	64.25	36.5	62.75	28.5	5
RJDPR200	200	RJIC200-	84	48	8.63	6	69.75	42.5	68.25	34.5	5

NOTE : RJDPR Series include 6" Risers, Substitute RJDPP for Series number (same dimensions) if no Risers are needed.

DISCLAIMER: Due to Magnaloy's policy of continuous improvement, specifications are subject to change without notice.

Stacking Modules for RJIC Series Reservoirs

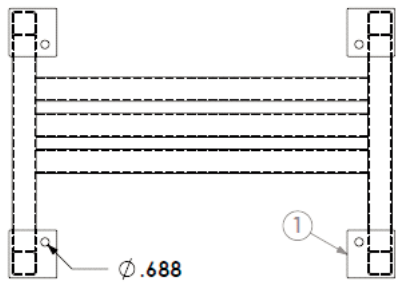


Fits Magnaloy RJIC Series Reservoirs and Drip Pans:

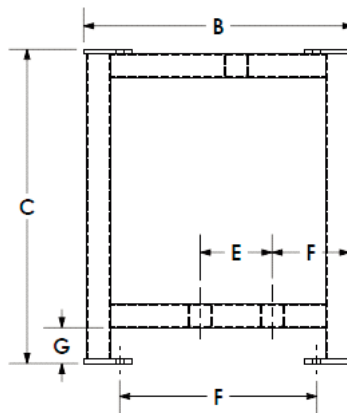
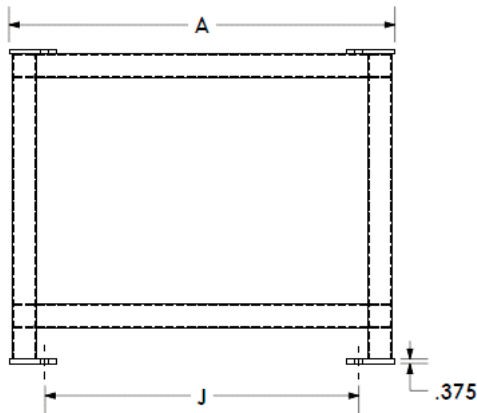


Size	Material	Foot Pads
10	2 x 2 x 11ga	4 x 4 x 3/8
15	2 x 2 x 11ga	4 x 4 x 3/8
20	2 x 2 x 11ga	4 x 4 x 3/8
30	2 x 2 x 11ga	4 x 4 x 3/8
40	2 x 2 x 11ga	4 x 4 x 3/8
50	2 x 2 x 11ga	4 x 4 x 3/8
60	2 x 2 x 11ga	4 x 4 x 3/8
80	2 x 2 x 11ga	4 x 4 x 3/8
100	2 x 2 x 11ga	4 x 4 x 3/8
120	3 x 3 x 7ga	5 x 5 x 3/8
150	3 x 3 x 7ga	5 x 5 x 3/8
200	3 x 3 x 7ga	5 x 5 x 3/8

4



FOOT MOUNTING PADS, TYP
4 EACH TOP & BOTTOM



Includes:

- (4) Foot Mounting Pads, Top and Bottom that aligns with RJIC Series Reservoir Mounting Holes and RJDPx Drip Pan Mounting Pads
- Primer Coated Exterior
- All Edges Deburred
- Designed to fit Magnaloy RJDPx Drip Pan (pg 28) and RJIC-FT & RT reservoirs only (pg 14) (see image, top of page 28)

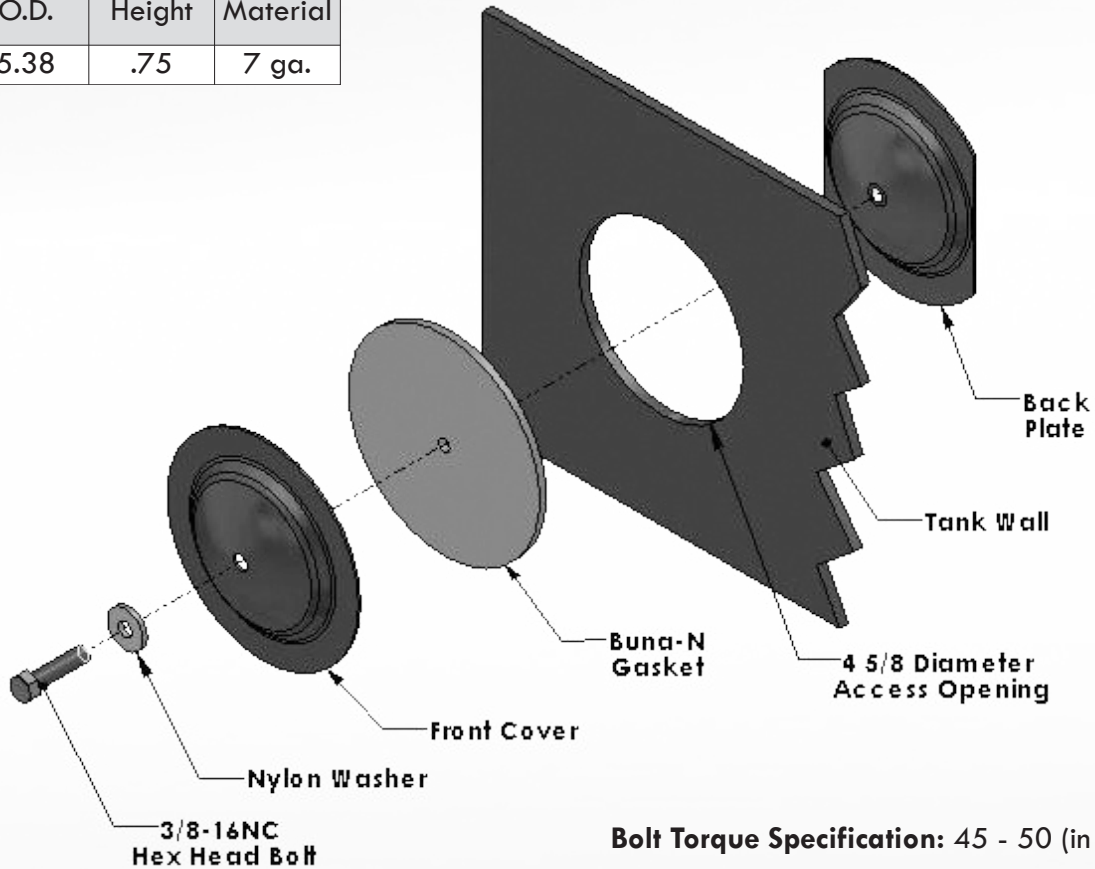
Part Number	Fits Reservoir	Drip Pan Dimensions (Inches)				Reservoir Dimensions (Inches)				
		A	B	C	D	E	F	G	J	K
RJSM010	RJIC010-	24.25	22.5	26.25	9.5	6*	6.5	3	18.25	16.5
RJSM015	RJIC015-	26.25	22.25	26.25	9.5	6*	6.5	3	22.25	16.5
RJSM020	RJIC020-	32.25	22.5	26.25	9.5	6*	6.5	3	26.25	16.5
RJSM030	RJIC030- thru 050-	38.25	28.5	26.25	12.5	6*	9.5	3	32.25	22.5
RJSM060	RIC0J60-	50.25	31.5	32.5	14	9*	9.5	3	44.25	25.5
RJSM080	RJIC080-	62.25	31.5	31.5	14	9*	9.5	3	56.25	25.5
RJSM100	RJIC100-	62.25	31.5	36.75	14	9*	9.5	3	56.25	25.5
RJSM120	RJIC120- thru 150-	64.25	36.5	36.75	15.5	9*	11	3	56.25	28.5
RJSM200	RJIC200-	76.25	42.5	36.75	18.5	9*	14	3	68.25	34.5

* This dimension can be changed at no additional charge to accommodate your pump/motor combination, consult factory.

DISCLAIMER: Due to Magnaloy's policy of continuous improvement, specifications are subject to change without notice.

6 Inch Steel End Cover:

End Cover Size	O.D.	Height	Material
REC06	5.38	.75	7 ga.



End Cover Assembly and Component Part Numbers:

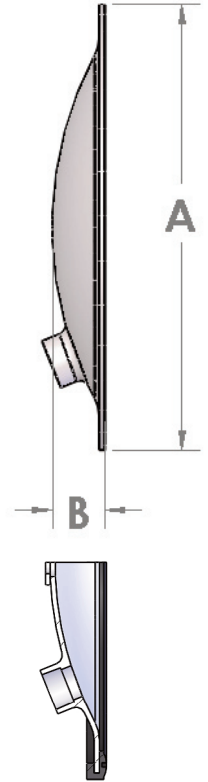
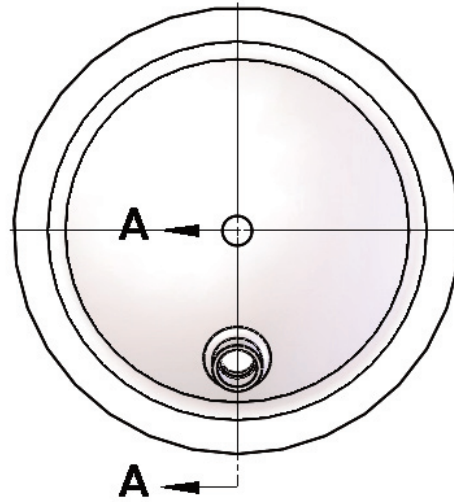
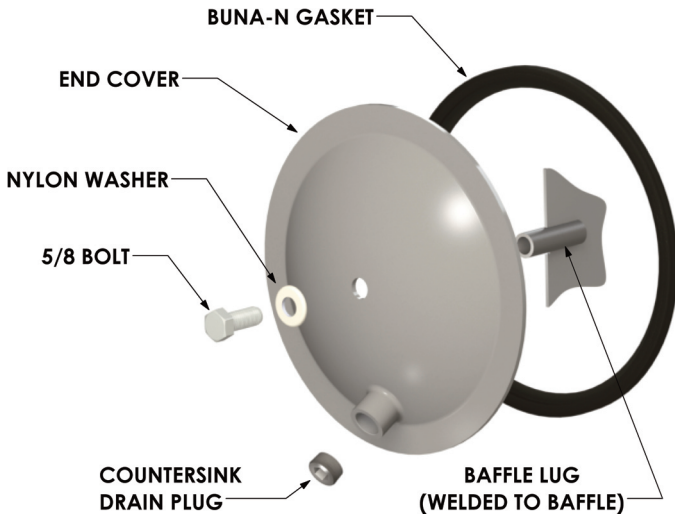
End Cover Size	End Cover Assembly	End Cover Front Cover	End Cover Back Plate	End Cover Gasket	End Cover Nylon Washer	End Cover Bolt
6"	REC06K	REC06C	REC06B	REC06G	REC06W	REC06F

NOTE: End Cover Assembly Includes - (1) Front Plate, (1) Back Plate, (1) 3/8-16 x 1.25" Bolt, (1) Nylon Crush Washer, (1) Buna-N Cover Gasket.

NOTE: 4.625" Diameter Hole in the Reservoir is required for installation.

End Covers

12, 14, 16, & 18 Inch Steel End Covers:



4

End Cover Size	A	B	Material
12"	11.75	1.38	7 ga
14"	13.75	1.50	7 ga
16"	15.88	1.88	7 ga
18"	17.34	2.25	7 ga

Bolt Torque Specification: 15 (ft lbs)

SECTION A-A
(with Gasket Installed)

Steel End Cover Kit and Component Part Numbers:

End Cover Size	End Cover Kit w/out Drain	End Cover Kit with 3/4" NPT Drain	End Cover Only w/out Drain	End Cover Only with 3/4" NPT Drain	End Cover Kit with #12 SAE Drain	End Cover Only with #12 SAE Drain
12"	REC12KX	REC12KN	REC12CX	REC12CN	REC12KS	REC12CS
14"	REC14KX	REC14KN	REC14CX	REC14CN	REC14KS	REC14CS
16"	REC16KX	REC16KN	REC16CX	REC16CN	REC16KS	REC16CS
18"	REC18KX	REC18KN	REC18CX	REC18CN	REC18KS	REC18CS

Stainless Steel End Cover Kit and Component Part Numbers:

End Cover Size	End Cover Kit w/out Drain	End Cover Kit with 3/4" NPT Drain	End Cover Only w/out Drain	End Cover Only with 3/4" NPT Drain	End Cover Kit w/#12 SAE Drain	End Cover Only w/#12 SAE Drain
12"	RECS12KX	RECS12KN	RECS12CX	RECS12CN	N/A	N/A
16"	RECS16KX	RECS16KN	RECS16CX	RECS16CN	N/A	N/A

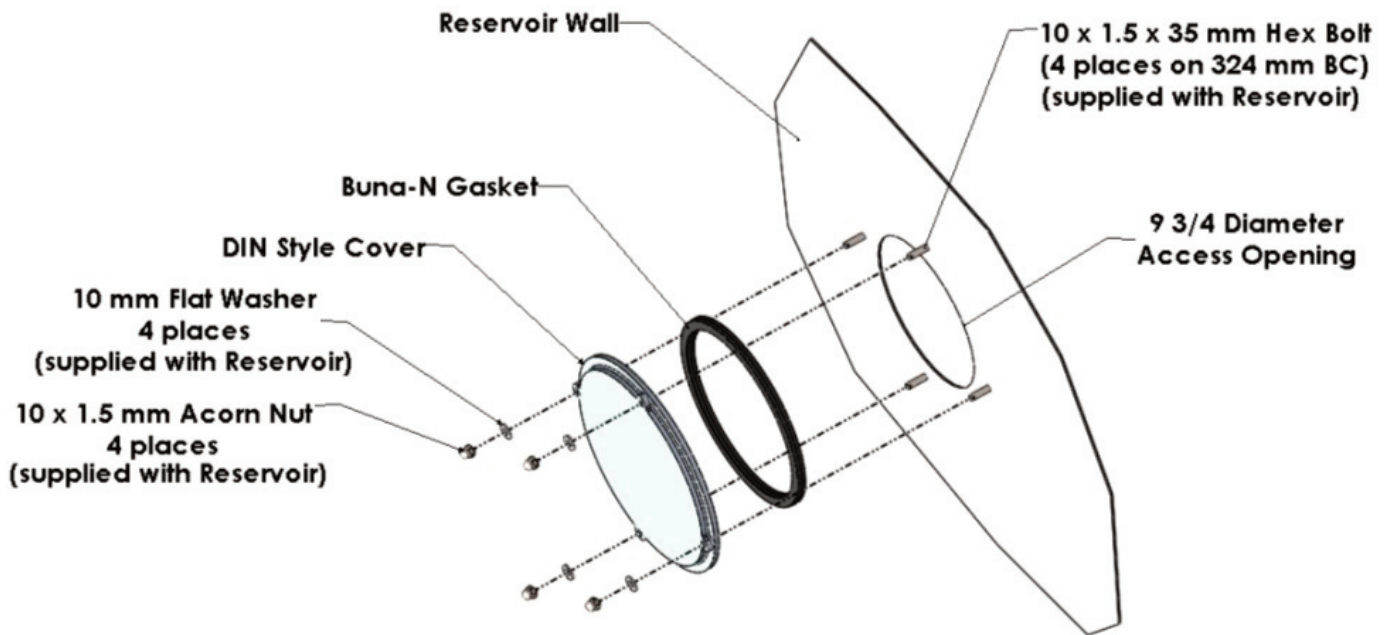
NOTE: End Cover Kit Includes: (1) End Cover, (1) Buna-N Gasket, (1) 5/8-11 Bolt, (1) Nylon Washer, (1) Baffle Lug, (1) Countersunk Drain Plug (Covers w/Drain). (For Stainless Kit: Bolt is Stainless, but Baffle lug is not)

NOTE: End Cover Only Includes: (1) End Cover, (1) Buna-N Gasket

Bolt-On DIN Style End Cover:

End Cover Size	O.D.	Height	Material
REC-M350K	350mm	18mm	Cast Aluminum

4



Acorn Nut Torque Specification: 35 (in lbs)

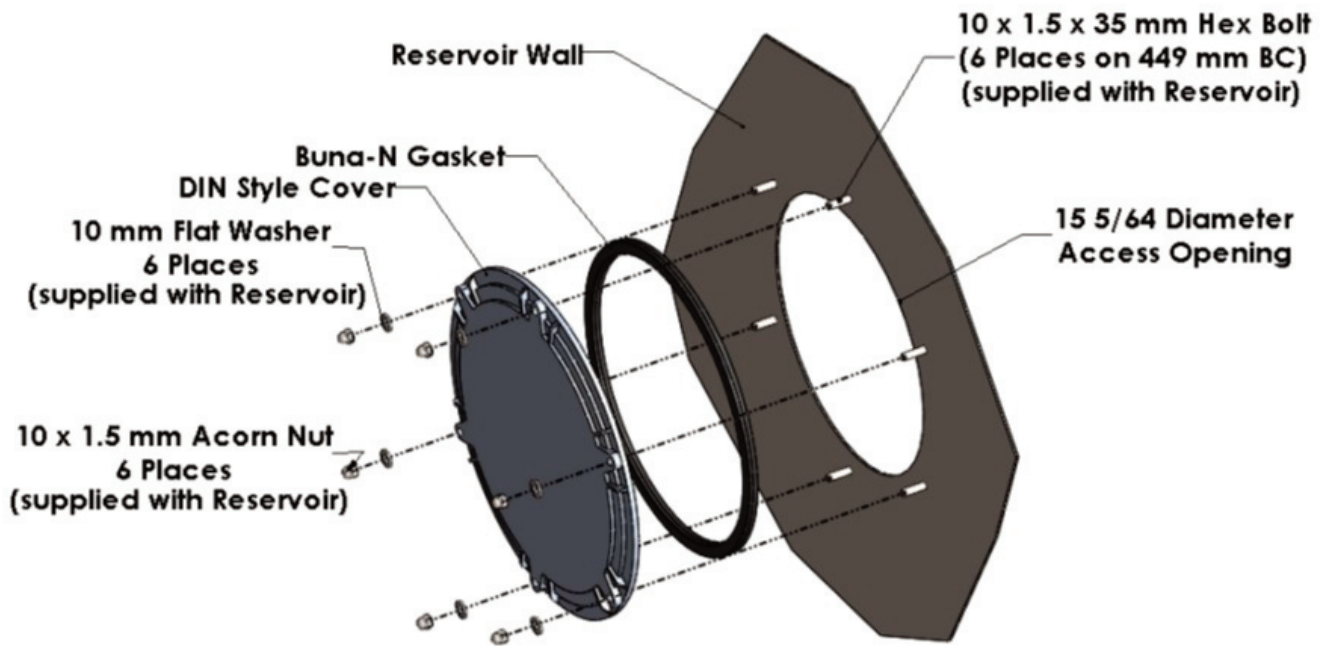
NOTE: End Cover Assembly Includes - (1) DIN Style Cover, (1) Buna-N Gasket, (fasteners/mounting hardware **not included**).

NOTE: 9.75" Diameter Hole in Reservoir is required for installation and (4) 11 mm Diameter Holes Equally spaced 324mm BC (leak free installation).

End Covers

Bolt-On DIN Style End Cover:

End Cover Size	O.D.	Height	Material
REC-M475K	475mm	18mm	Cast Aluminum



Acorn Nut Torque Specification: 35 (in lbs)

NOTE: End Cover Assembly Includes - (1) DIN Style Cover, (1) Buna-N Gasket, (fasteners/mounting hardware **not included**).

NOTE: 15.08" Diameter Hole in Reservoir is required for installation and (6) 11 mm Diameter Holes Equally spaced on a 449mm BC (leak free installation).

Make the Connection with magnaloy

Whatever your Fluid Power Unit needs,
Magnaloy has the products
to keep you connected.



Flexible Drive Couplings

Top-of-the-line magnesium couplings are lighter, yet stronger than either cast iron or aluminum. They also offer better corrosion resistance and easier handling.



Magnaloy Hydraulic Bar Manifolds & Accessories

Complete line of inline Bar Manifolds, Subplates, Cover Plates, Valve Adaptors, Integrated Circuit Manifolds, and Accessories to make the design and fabrication of Hydraulic Circuitry simple and easy. Wide range of sizes include: D03, D05, D05H & D08 in aluminum and steel with ports available in SAE, NPTF, BSPP, and BSPT styles. Custom design and fabrication also available, consult factory.

Accessories

Filler Breather Adaptors, Filler Breathers, Reservoir Flanges, Suction Strainers, Gauge Isolators, Liquid Level Gauges, Modular O-Ring Kits.



Pump/Motor Mounts

Precision machined aluminum & custom steel pump/motor mounts directly connect the motor and pump while ensuring accurate shaft alignment and enclosing the coupling. Vertical and horizontal models readily available from stock.



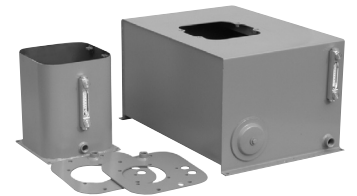
Rod End Couplers

Two models of accurately machined high tensile cylinder rod end alignment couplers offer 7° or 10° spherical and 1/8" parallel misalignment capabilities.



PM 90 Couplings

Economical PM-90 Iron Powder Couplings have long lasting nitrile, hytrel or urethane inserts. Double set screws give excellent gripping power.



Magnaloy Reservoirs & Reservoir Accessories

Magnaloy offers a complete line of standard reservoirs and reservoir accessories. In addition, we offer custom reservoir fabrication to meet our customer specific needs. Reservoir accessories such as Clean Out Covers and SAE Couplings are available for the "do-it-yourself" reservoir manufacturer.



Magnaloy Pressure Switch

Pressure Sensing switch capable of sensing up to three (3) separate pressures. Each sensor is externally independently adjustable from 200 to 4000 psi. Viton seals provide wide fluid compatibility range.